



Making
every day
taste better





100 YEARS
OF
BETTER LIVING
1919
-
2019

Swedish thinking.
Better living.

Find your inspiration



Introduction 4

Cooking

Steam Ovens 12
Sous-vide 14
Oven key highlights 16
Oven range 18
Hob key highlights 38
Hob range 40
Hood key highlights 58
Hood range 60

Cooling

Cooling key highlights 70
Cooling range 72

Cleaning

World's first ComfortLift® Dishwasher 78
Dishcare key highlights 80
Dishcare range 82

Laundry

Laundry key highlights 90
Laundry range 92

Benefit overview 94
Specification tables 96
Leaders in sustainability 114
Green Living 116

100 YEARS OF
BETTER LIVING
1919 - 2019

Hej världen

We are Electrolux. Born in Sweden, in 1919. For 100 years our innovation has made everyday living easier.

Now we're looking forwards, and aiming even higher. We're a forward thinking brand for people who want to live a richer, more effortless and sustainable life.

We assist those who like to create more. We serve those who ask for the most. Delivering excellence for the most demanding chefs and hotels equips us to really deliver for people in their homes. Well thought through appliances and services for high quality experiences.

The finest salmon, kept fresher and steamed juicier. The softest silk shirt, washed with greatest care, worn with joy. Breathing easier knowing that the kids are breathing healthier at home. Everything working for you and everything working together.

Because we know how much home life matters.

Home is the stage for much of life's drama. So we don't just help people cook, clean and be comfortable.

We design to help people live better, every day.

Making cooking experiences more enjoyable and sustainable

We believe that few things in life are better than enjoying a home cooked meal with loved ones. That's why we are committed to creating new ways and tools making it possible for you to eat tastier, healthier and more sustainably, together with family and friends.

A rich history of partnership with professional chefs has given us an expertise we place into our kitchen products so that you can get the most out of your kitchen.

Fridges that keep your ingredients fresh for longer. Hobs that not only know the exact temperature to cook at, but also work in harmony with a silent hood. A dishwasher that lifts the lower basket to a higher level making loading and unloading convenient. And ovens that add the right amount of steam to make your dishes juicier, crispier and tastier.

Beyond the creation of better taste experiences, we are determined to do everything we can for the health of our planet. By sharing new technologies and techniques that are both sustainable and innovative we offer a commitment to taste that makes no compromise. Simultaneously helping you to create delicious dishes that are better for you and the world we live in.

A more modern and mindful way to eat.





A century of professional expertise, in your kitchen

For generations of professional chefs, Electrolux has been the supplier of choice, so it's no surprise to learn that our appliances are used in almost half of the Michelin-starred restaurants across Europe.

Our professional connection provides a unique insight into the requirements and preferences of some of the most demanding kitchens in the world, which in turn influences the development of our domestic kitchen appliances.

The result? Timeless and intuitive kitchen appliances enabling you to taste and experience more with food at home.



Ovens

Steam Ovens	12
Sous-vide	14
Oven Key Highlights	16
Oven Range	18





Steam ovens? We invented them

It's a simple idea that professional chefs have used for decades: just add steam to the way you normally cook. By adding steam to the heat in your oven, you can keep food moist and prevent dishes from drying out. You can cook faster, too. Heat is transferred more quickly to the food, penetrating deep down rapidly and evenly.



Sous-vide

A method of cooking in vacuum sealed plastic pouches at low temperatures. Flavours are sealed in, whilst nutrients and vitamins are preserved throughout cooking.



Full steam (100%)*

For steaming vegetables, side dishes or fish.



High steam (80%)*

Suitable for stewing.



Medium steam (50%)*

For gentle crisping.



Low steam (25%)*

Suitable for baking, roasting or cooking meat, poultry, oven dishes and casseroles.

How much steam?

Steam Levels		Low Steam + Heat	Medium Steam + Heat	Full Steam	SousVide	VarioGuide	
CombiSteam		•					FullTaste STEAM SYSTEM ●●○
CombiSteam Deluxe		•	•	•			FullTaste STEAM SYSTEM ●●○
CombiSteam Pro		•	•	•	•	•	FullTaste STEAM SYSTEM ●●●
Compact CombiSteam Pro		•	•	•	•	•	FullTaste STEAM SYSTEM ●●●



*Percentages are average estimation. During the cooking program, the humidity may vary according to the phase and the sensor feedback.

Seal in exceptional flavour with Sous-vide



Ever wondered how top restaurants create such pure, powerful flavours? Now you can use the same technique at home that gives professional kitchens their advantage – Sous-vide.

Taste buds at the ready

The most chickeny chicken, the beefiest steak... Imagine dishes with a flavour so clear, so pure, so powerful that it's like tasting them for the very first time. Food so delicious, your guests could think they're eating in a first class restaurant.

The secret is Sous-vide

It's long used by the very best Michelin-starred restaurants to achieve superb results consistently for the fussiest diners. With 100 years of experience working with professional chefs. Electrolux brings that experience to your kitchen.

Seal, steam and savour

With Sous-vide cooking, ingredients are vacuum-sealed with a few herbs and flavourings in a vacuum bag, then steam-cooked. With no air to get in the way, the special chemistry between flavours is maximised. Steamed at low temperature, the result is incredibly tender too. And once cooking is underway, you can relax and enjoy entertaining your guests, safe in the knowledge you'll astonish them with an amazing dish.

Sous-vide also gives you real flexibility and convenience as you can prepare gourmet and delicious meals in advance, then vacuum seal and store them in the fridge or freezer.

Sous-vide in four simple steps

- 01/ Clean, chop and season your ingredients
- 02/ Seal in all the flavours in the vacuum bag
- 03/ Place in your steam oven, select Sous-vide cooking function and sit back
- 04/ Serve up a tender, intensely-flavoured taste revelation



Sous-vide



15 / 120

Ovens key highlights

CombiSteam Pro Ovens

A new level of precision in steam cooking. Perfect for unlocking even greater taste and texture.



Food Sensor

Precisely monitor the cooking process and achieve the perfect results according to your personal taste.



Sous-vide Cooking

Flavours are sealed in, whilst nutrients and vitamins are preserved throughout cooking.



Cleaning Solutions

Pyro Self Cleaning

No more cleaning thanks to the Pyrolitic Self Cleaning function that turns food residues into ashes. You simply need to wipe away with a damp cloth.

Steam Cleaning

Keeping your steam oven clean is easy. The steam cleaning programme effortlessly removes any stains and grime with gentle steam.

Catalytic Cleaning

The oven's clever catalytic coating also absorbs grease and other residues and when heated to 220°C it oxidates them.





CombiSteam Pro
EOB9956VAX

Enhance the flavours you love. Every meal will be an experience when you cook with the CombiSteam Pro oven. It has three cooking modes - heat, steam and combination.

With the Sous-vide function you can steam your food, herbs and flavourings in vacuum-sealed bags at a low temperature. This strongly intensifies the flavours, for unparalleled taste and texture.

The unique Varioguide function gives you access to 220 recipes. A full-colour touch screen display provides an inspiring cookbook that describes the ingredients and the way to prepare the dish.

Countries available in

UAE | Qatar | Kuwait | Oman | Bahrain | Iraq | Lebanon

Features

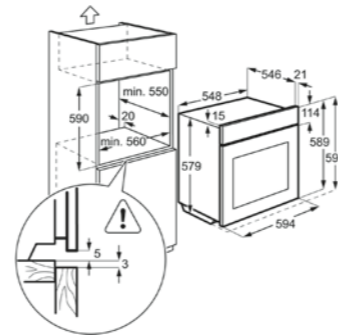
- Built-in oven
- Multi-functional oven with integrated steam functions
- Oven energy class: A
- Anti fingerprint stainless steel
- Oven cavity with 3 baking levels
- Fast oven heat up function
- Meat probe
- Oven cooking functions: Bottom, Evaporator + fan, Grill, Grill + bottom (80°C fix), Grill + bottom + fan, Grill + fan (alter), Ring + bottom + fan, Ring + evaporator + fan, Ring + fan, Ring + fan (alter) (humid), Ring + fan (humid), Ring + fan (LTC), Steam, Steam (humid), Steam + bottom + fan (humid), Steam + evaporator + fan (humid), Steam + fan (alter) (humid), Steam + fan (humid), Steam + ring + bottom + fan (humid), Steam + ring + bottom + fan (humidity high), Steam + ring + bottom + fan (humidity low), Steam + ring + bottom + fan (humidity medium), Steam + ring + evaporator + fan (humid)
- Cleaning reminder
- VelvetClosing® action for a door that closes gently every time
- Automatic temperature proposal

Technical information



Dimensions

579 (H) x 594 (W) x 546 (D)



CombiVac Sealer
EVD14900OX

Unleash your creativity. The CombiVac Sealer enables you to use professional vacuum technology in your own home and create exceptional flavours - opening up a whole new range of culinary possibilities.

Bring out the flavour faster. Bring rich, deep flavour to your cooking in less time. With the vacuum sealer drawer, there's no need wait hours for traditional marinating. Simply put your food and spices inside the vacuum sealer drawer, close the lid and push the button. Effortlessly infuse meat and fish with delicious fresh herbs and citrus - or piquant Asian flavours - in far less time than usual.

Preserve your food for longer by vacuum sealing it using this professional Vac Sealer drawer. It extracts 100% of air inside all standard food bags on the market.

Countries available in

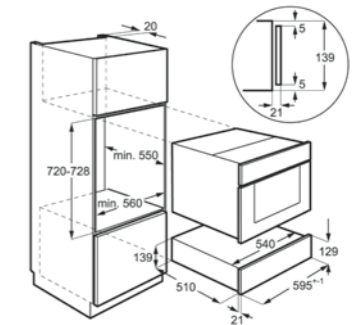
UAE | Qatar | Kuwait | Oman | Bahrain | Iraq | Lebanon

Features

- Perfect to marinate food in a faster way
- The vacuum sealer drawer door handle matches perfectly with the handle of the oven
- Perfect integration in the standard niche and perfect alignment with the oven
- Selection of different vacuuming programmes depending on type of food

Dimensions

129 (H) x 594 (W) x 535 (D)



GourmetHeat Warming Lamp
EWLIAX

When you're having guests over for dinner, you're cooking and entertaining at the same time. This GourmetHeat Warming Lamp keeps your dishes at the right temperature for as long as you like.

The special infrared heating system prevents loss of moisture and maintains the taste and texture of your cooked food. You can adjust the temperature to suit your needs by moving the lamp up or down.

With the GourmetHeat warming lamp you can conveniently plan and coordinate your dinner. You can keep one plate hot while you work on another and serve them out at the right temperature.

Countries available in

UAE | Qatar | Kuwait | Oman | Bahrain | Iraq | Jordan | Lebanon

Features

- Gentle defrosting function
- No need to preheat
- Stylish, professional design



Warming Drawer
EED14800AX

Serve your guests on pre-warmed dishes, just like the professional chefs do. This clever warming drawer is ideal for heating up plates and dishes and keeping food warm.

Warm each dish to a comfortable temperature all over, thanks to the warming drawer's warm air circulation system. Every mouthful stays hot and tasty.

Here is a smart alternative to defrosting food in the microwave – the warming drawer. It creates the perfect temperature for gently defrosting your food.

Countries available in

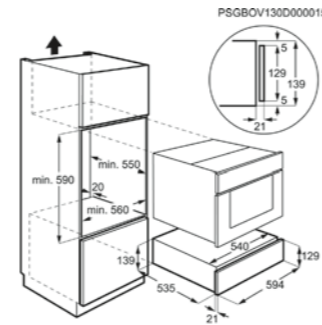
UAE | Qatar | Kuwait | Oman | Bahrain | Iraq | Lebanon

Features

- Towel rail handle
- Load capacity for max. 6 persons servings, depending on the size of the dishes
- Warming drawer functions: Crockery warming, Defrost, Food warming,
- Proving dough
- Adjustable temperatures: 30-80°C
- Built-in warming drawer

Dimensions

140 (H) x 594 (W) x 535 (D)





PlusSteam Oven
EOC5644AAX

The PlusSteam function on this oven simply uses a touch of steam to create a richer and glossier colour, a crispier crust and soft delicious texture for all your home-baked bread.

With the Pyro self-clean oven, you can get your oven completely clean – and without scrubbing. Once activated, it hygienically turns residues into odourless ash.

This plug-in food temperature probe gives you more insight into your food. Set the probe to the right cooking level (e.g., rare, medium, well done) and it will alert you and switch the oven off when your dish is ready.

Countries available in

UAE | Qatar | Kuwait | Oman | Bahrain | Iraq | Lebanon

Features

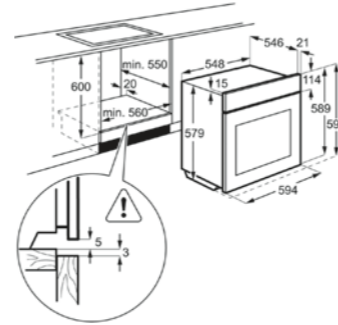
- Multifunctional oven with ring heating element
- Oven energy class: A
- Oven cooking functions: Bottom (fs), Fan + acc (fs), Grill, Grill (40) + bottom (fs), Grill + bottom (50), Grill + fan, Ring (40) + fan (30°C fix), Ring (50) + fan + acc (fs), Ring (70) + bottom + fan (fs), Ring + bottom + fan (fs), Ring + fan (fs), Ring + fan + evaporator (fs)
- Anti fingerprint stainless steel
- Oven cavity with 3 baking levels
- Fast oven heat up function
- Meat Probe
- Pyrolytic self-cleaning
- Cleaning reminder
- VelvetClosing® action for a door that closes gently every time
- Automatic temperature proposal
- Electronic temperature regulation
- Electronic lock function
- Electronic Child Lock safety function
- Residual heat indication
- Retractable knobs

Technical information



Dimensions

579 (H) x 594 (W) x 546 (D)



PlusSteam Oven
EOA5444AAX

The PlusSteam function on this oven simply uses a touch of steam to create a richer and glossier colour, a crispier crust and soft delicious texture for all your home-baked bread.

This oven actually helps you to get it clean. The cavity has a clever catalytic coating that absorbs and oxidises grease, so cleaning is easier.

Thanks to the UltraFanPlus heating system with extra- large fan and air-guide design, your dish will cook completely evenly wherever you place it in the oven.

Countries available in

UAE | Qatar | Kuwait | Oman | Bahrain | Iraq | Lebanon

Features

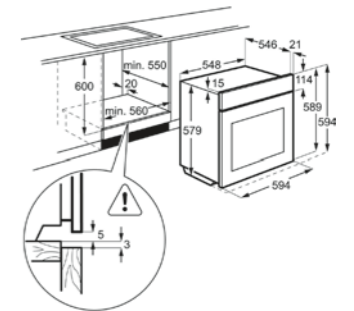
- Multifunctional oven with ring heating element
- Oven energy class: A
- Oven cooking functions: Bottom, Fan + light, Grill, Grill + top, Grill + top + fan, Light, Ring + bottom + fan, Ring + fan, Ring + fan + evaporator, Top + bottom
- Anti fingerprint stainless steel
- Oven cavity with 3 baking levels
- VelvetClosing® action for a door that closes gently every time
- Retractable knobs
- Electronic oven functions overview: Acoustic signal, Duration, End, Minute minder, Time
- Halogen oven lighting
- Baking chart on oven door inside
- Catalytic stay clean oven lining
- Easy to clean door
- Cooling fan
- Trays supplied with the oven: 1 Dripping pan grey enamel, 1 Trivet chrome
- Grids supplied with the oven: 2 Wire shelves chrome

Technical information



Dimensions

579 (H) x 594 (W) x 546 (D)





Multi-function Oven
EOB5450AAX

This oven offers you the same kind of flexibility that busy chefs require. It has a 74-litre capacity, the largest tray around and up to 5 shelf heights.

So dinner is always ready when you want it, this interface with LED display enables you to select the cooking end-time and duration. It has retractable knobs and push buttons for access to all settings.

Thanks to the UltraFanPlus heating system with extra-large fan and air-guide design, your dish will cook completely evenly wherever you place it in the oven.

Countries available in

UAE | Qatar | Kuwait | Oman | Bahrain | Iraq | Lebanon

Features

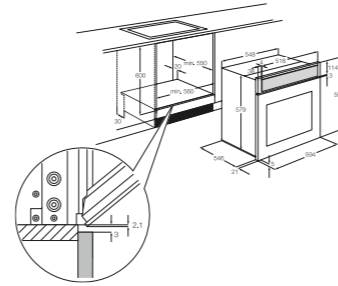
- Multifunctional oven with ring heating element
- Oven energy class: A
- *20% more energy-efficient compared to the limit of energy efficiency class A (1,00 KWh) for large ovens ($\geq 65L$) calculated according to EU Directive 2002/40/EC
- Oven cooking functions: Bottom, Fan + light, Fan + ring, Fan + ring + bottom, Fan + top + grill, Grill, Light, Top + bottom, Top + grill
- Anti fingerprint stainless steel
- Oven cavity with 3 baking levels
- VelvetClosing® action for a door that closes gently every time
- Retractable knobs
- Electronic oven functions overview: Acoustic signal, Duration, End, Minute minder, Time
- Baking chart on oven door inside
- High gloss enamel oven lining, easy to clean
- Easy to clean door
- Top heating element removable for easy cleaning
- Cooling fan
- Trays supplied with the oven: 1 Cake tray grey enamel, 1 Dripping pan grey enamel
- Grids supplied with the oven: 1 Wire shelf chrome

Technical information



Dimensions

594 (H) x 594 (W) x 567 (D)



Multi-function Oven
EOB3400AOX

This oven offers you the same kind of flexibility that busy chefs require. It has a 74-litre capacity, the largest tray around and up to 5 shelf heights.

For simple control, this interface, with its rotary knobs and LED display, gives you direct access to the countdown function and practical cooking modes. When the oven is off, the display shows you the time.

Thanks to the UltraFanPlus heating system with extra-large fan and air-guide design, your dish will cook completely evenly wherever you place it in the oven.

Countries available in

UAE | Qatar | Kuwait | Oman | Bahrain | Iraq | Lebanon

Features

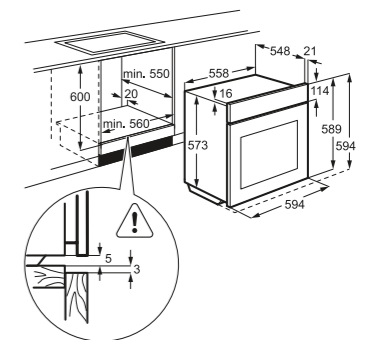
- Multi-functional oven with ring heating element
- Oven energy class: A
- Oven cooking functions: Fan, Fan + grill, Ring + fan, Grill, Light, Top + grill
- Anti fingerprint stainless steel
- Oven cavity with 3 baking levels
- Electronic oven functions overview: Acoustic signal, Duration, End, Minute minder, Time
- High gloss enamel oven lining, easy to clean
- Halogen oven lighting
- Easy to clean door
- Top heating element removable for easy cleaning
- Cooling fan
- Trays supplied with the oven: 1 Dripping pan grey enamel, 1 Trivet chrome
- Grids supplied with the oven: 2 Wire shelves chrome

Technical information



Dimensions

594 (H) x 594 (W) x 568 (D)





Gas Oven
EOG9102CAX

Central positioned fan for better cavity air circulation and browning results.

Rotary knobs to easily select temperature and heating mode.

Countries available in

UAE | Qatar | Kuwait | Oman | Bahrain | Iraq | Lebanon

Features

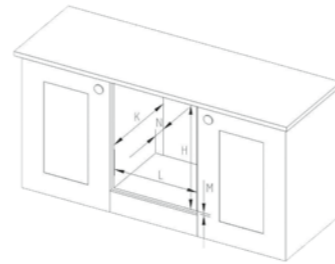
- Oven cooking functions: Bottom, Fan, Fan + bottom, Grill, Grill + turnspit, Light
- Anti fingerprint stainless steel
- Electronic oven functions overview: Acoustic signal, Minute minder
- Oven with turnspit
- High gloss enamel oven lining, easy to clean
- Easy to clean door
- Electric oven ignition
- Thermocouple safety for the oven
- Cooling fan
- Trays supplied with the oven: 1 Dripping pan clean enamel
- Grids supplied with the oven: 1 Grill pan grid chrome wirework
- Electric cable length: 1.8m

Technical information



Dimensions

594 (H) x 898 (W) x 569 (D)



Gas Oven
EOG1102COX

This Electrolux gas oven has an extra-large cavity and a big grill surface allowing you great results each and every time. Your roasted dishes will always be grilled and browned evenly, looking and tasting just the way you expect them to be.

This oven offers you a great level of flexibility, which means you can cook even more at once. It has a 70-litre capacity and the largest tray around.

The rotating spit is the easiest way to guarantee the perfect roast, with a crispy crust and a wonderful brown colour all over.

Countries available in

UAE | Qatar | Kuwait | Oman | Bahrain | Iraq | Lebanon

Features

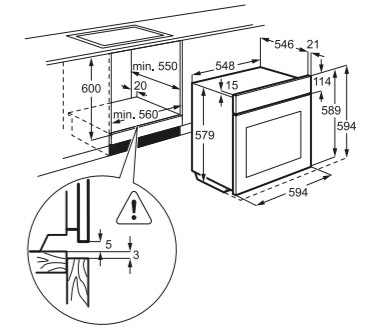
- Built-in oven
- Oven cooking functions: Bottom, Grill, Light
- Anti fingerprint stainless steel
- Oven with turnspit
- High gloss enamel oven lining, easy to clean
- Easy to clean door
- Electric oven ignition
- Thermocouple safety for the oven
- Cooling fan
- Trays supplied with the oven: 1 Cake tray aluminium, 1 Dripping pan grey enamel, 1 Trivet chrome
- Grids supplied with the oven: 1 Grill pan grid chrome wirework
- Electric cable length: 1.6 m

Technical information



Dimensions

594 (H) x 594 (W) x 569 (D)





Multifunction Electric Oven
EOM5420AAX

At 90cm wide, this oven is wider than standard ovens. So when you're cooking for a party – or using a large, specialist dish – you've got the space you need.

The FoodProbe gives you a virtual look inside your food so you can check on how it is cooking. What's more, it switches off the oven when your food is ready.

Thanks to great insulation, the door stays cool. Never more than 20°C warmer than room temperature, it is always safe to touch.

Countries available in

UAE | Qatar | Kuwait | Oman | Bahrain | Iraq | Lebanon

Features

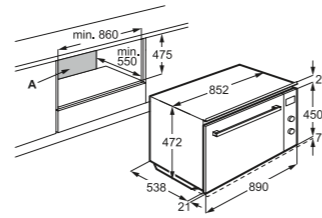
- Built-in oven
- Multi-functional oven with ring heating element
- Oven energy class: A
- *10% more energy-efficient compared to the limit of energy efficiency class A (1,00 kWh) for large ovens (≥ 65L) calculated according to EU Directive 2002/40/EC
- Oven cooking functions: Bottom, Fan, Fan + ring + top (alter) + bottom (alter), Grill, Grill + bottom, Grill + bottom + fan, Grill + top, Grill + top + fan, Ring + fan, Top + bottom, Top + bottom + fan
- Anti fingerprint stainless steel
- Oven cavity with 2 baking levels
- Meat probe
- Retractable knobs
- Electronic oven functions overview: Acoustic signal, Duration, End, Food sensor automatic switch off, Minute minder, Time
- High gloss enamel oven lining, easy to clean
- Easy to clean door
- Cooling fan
- Trays supplied with the oven: 1 Cake tray grey enamel, 1 Dripping pan grey enamel, 1 Pizza stone
- Grids supplied with the oven: 1 Grill
- Electric cable length: 1.8m

Technical information



Dimensions

480 (H) x 890 (W) x 559 (D)



Compact Oven
EVY7800AAX

This compact yet capable oven features both standard oven cooking and microwave cooking functions.

Use this touch text&icon menu to expand your cooking horizons. It includes help functions and 100 pre-set cooking programmes. Plus you can save up to 20 of your own favourite programmes.

With this multifunctional oven, each dish will taste great. And because it spreads the heat evenly, every mouthful will be equally delicious.

Countries available in

UAE | Qatar | Kuwait | Oman | Bahrain | Iraq | Lebanon

Features

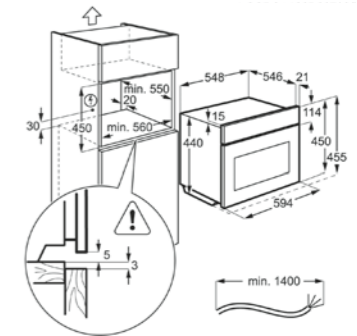
- Oven with integrated microwave function
- Microwave power: 1000 Watt
- Oven cooking functions: Bottom heat, Bread baking, Browning/Au gratin, Conventional/Traditional cooking, Defrost, Dough proving, Drying, ECOroasting, Fast grilling, Frozen foods, Grilling, Keep warm, Low temp.cooking/Slow cooking, Microwave function, Pizza setting, Plate warming, Preserving, True fan cooking, Turbo grilling
- Anti fingerprint stainless steel
- Oven cavity with 2 baking levels
- Fast oven heat up function
- Automatic temperature proposal
- Memory function for frequently used oven settings
- Integrated recipes
- Automatic weight programmes
- Electronic temperature regulation
- Time extension function
- Electronic child lock safety function
- Heat and hold function
- Residual heat indication

Technical information



Dimensions

440 (H) x 594 (W) x 546 (D)





Microwave Oven & Grill
EMS26204OX

You'll only notice it when you need it. This fully built-in microwave will fit perfectly into your kitchen, making it seem like it was custom-made for your space.

Whether you want to keep it quick and simple or you just want to reheat something from the fridge, you can rely on this intuitively easy-to-use microwave oven.

As soon as this auto-defrost programme is finished, you can just go straight to the next step of your recipe. The programme always thoroughly defrosts your food.

Countries available in

UAE | Qatar | Kuwait | Oman | Bahrain | Iraq | Jordan | Lebanon

Features

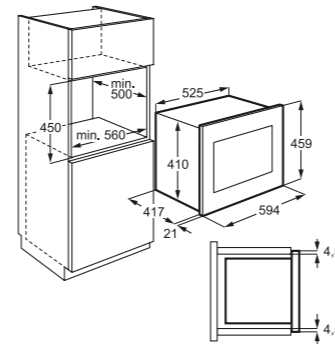
- Microwave for fully integrated built-in installation
- Built-in possibilities in combination with other appliances: Over oven, Under oven
- Door opening mechanism: Push control
- Cooking modes: Grill, Microwave, Microwave & Grill
- Microwave power: 900 Watt, 5 levels
- Grill power: 1000 Watt
- Quick start function at full power with 30 sec. intervals
- Automatic defrosting programmes by weight
- Child lock
- End of cook cycle signal
- Automatic cooking programmes by weight
- Push buttons for power selection
- Electronic clock with timer
- 3 programmed functions can be put in a sequence
- Internal light
- Turntable: Non-integrated
- Turntable diameter and material: 325mm, Glass
- Included accessories: Frame, Grill rack, Low grill rack

Technical information



Dimensions

459 (H) x 594 (W) x 417 (D)



Microwave Oven
EMS17006OX

You'll only notice it when you need it. This fully built-in microwave will fit perfectly into your kitchen, making it seem like it was custom-made for your space.

Whether you want to keep it quick and simple or you just want to reheat something from the fridge, you can rely on this intuitively easy-to-use microwave oven.

As soon as this auto-defrost programme is finished, you can just go straight to the next step of your recipe. The programme always thoroughly defrosts your food.

Countries available in

UAE | Qatar | Kuwait | Oman | Bahrain | Iraq | Jordan | Lebanon

Features

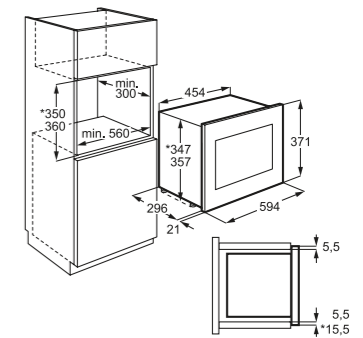
- Microwave for fully integrated built-in installation
- Built-in possibilities in combination with other appliances: Over oven, Under oven
- Door opening mechanism: Push control
- Cooking modes: Microwave
- Microwave power: 800 Watt, 5 levels
- Quick start function at full power with 30 sec. intervals
- Automatic defrosting programmes by weight
- Child lock
- End of cook cycle signal
- Automatic cooking programmes by weight
- Push buttons for power selection
- Electronic clock with timer
- 3 programmed functions can be put in a sequence
- Internal light
- Turntable: Non-integrated
- Turntable diameter and material: 272mm, Glass
- Included accessories: Frame

Technical information



Dimensions

371 (H) x 594 (W) x 296 (D)





Microwave Oven & Grill
EMT25507OX

You'll only notice it when you need it. This fully built-in microwave will fit perfectly into your kitchen, making it seem like it was custom-made for your space.

Combine two types of power at once - traditional oven and microwave - to cook faster. The microwave shortens cooking times while the fan browns and preserves texture simultaneously, making tempting meals in a fraction of the usual time.

Just shoot one quick glance at this microwave's clear digital display and you'll get immediate feedback on how your dish is doing.

Countries available in

UAE | Qatar | Kuwait | Oman | Bahrain | Iraq | Jordan | Lebanon

Features

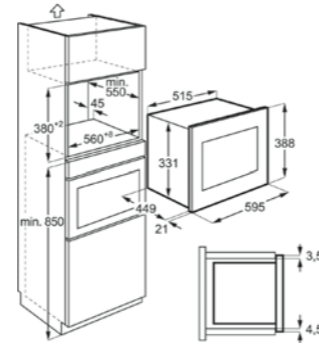
- Microwave for fully integrated built-in installation
- Door opening mechanism: Push control
- Built-in possibilities in combination with other appliances: Below worktop, Over oven
- Cooking modes: Convection, Grill, Microwave, Microwave & Convection, Microwave & Grill
- Microwave power: 900 Watt, 9 levels
- Grill power: 1100 Watt
- Automatic defrosting programmes by weight
- End of cook cycle signal
- Automatic cooking programmes by weight
- LED display
- Touch control power selection
- Internal light
- Turntable diameter and material: 315mm, Glass
- Included accessories: Grill rack

Technical information



Dimensions

388 (H) x 595 (W) x 470 (D)



Microwave Oven
EMM20117OX

The sleek design of this microwave means that it will fit in spaces where others can't, giving you more freedom to choose the layout of your kitchen.

This microwave oven features easy rotary control knobs, which make it very easy to manage your oven's settings.

Whether you want to keep it quick and simple or you just want to reheat something from the fridge, you can rely on this intuitively easy-to-use microwave oven.

Countries available in

UAE | Qatar | Kuwait | Oman | Bahrain | Iraq | Jordan | Lebanon

Features

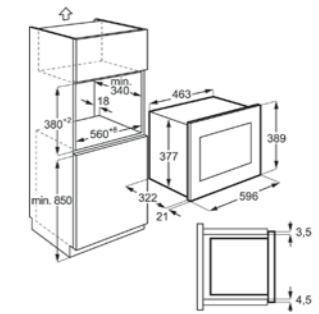
- Microwave for fully integrated built-in installation
- Door opening mechanism: Push control
- Built-in possibilities in combination with other appliances: Below worktop, Over oven
- Cooking modes: Microwave
- Microwave power: 800 Watt, 5 levels
- End of cook cycle signal
- LED display
- Control knob for power selection
- Internal light
- Turntable diameter and material: 245mm, Glass

Technical information



Dimensions

389 (H) x 596 (W) x 343 (D)





Coffee Machine
EBC54524AX

Add a personal touch of luxury to your kitchen with this compact, built-in coffee machine. It will perfectly complement your other appliances.

Use these touch keys to quickly select your coffee preferences. The LCD screen will confirm your choices and let you know when your cup is ready.

For café-quality cappuccino whenever you want it, press the cappuccino button. Getting that professional flavour is almost as easy as enjoying the cappuccino itself.

Countries available in

UAE | Qatar | Kuwait | Oman | Bahrain | Iraq | Jordan | Lebanon

Features

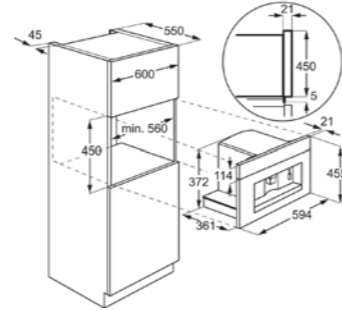
- Coffee machine for built-in installation
- Anti fingerprint stainless steel
- Cool light illuminates the coffee outlet
- Fully automatic coffee machine
- Automatic functions for espresso, long coffee, hot water and steam
- Coffee grinder capacity: 200g
- Suitable for pre-ground coffee
- Electronic touch controls
- Auto start function
- Water tank capacity: 1.8L
- Two separate heaters for coffee and for hot water

Technical information



Dimensions

455 (H) x 594 (W) x 361 (D)





Hobs

Hob key highlights	38
Hob Range	40



Hob key highlights

New unique windmill design to identify where to place your pots and pans.



Let your hob take care of the hood

Hob2Hood® technology means that the hob automatically controls the hood settings. As you cook, the fan adjusts according to the temperature changes you make. So you can focus less on adjusting settings, and more time on creating delicious meals.



Infinite cooking zones

Our Infinite self-sizing cooking zones cleverly recognise different pan sizes and shapes and send heat into the base of each pan. So you can put all your pans on the hob together, and have several delicious dishes ready at the same time.



Bridge Function

The bridge function lets you combine two separate cooking zones to create a single large surface. It's ideal for making the most of planchas or roasting pots.



PowerBoost

Get cooking faster with the PowerBoost function. It gives you an extra burst of energy for instantly reaching the highest temperatures.



90cm Induction Hob
EIT913

This zone-free induction hob gives you full control when cooking. With MaxiSense, each zone can detect the exact size of your cookware, only heating the area around the base, so you can use a variety of different pots and pans.

Direct touch controls enable you to turn the heat up or down on the hob accurately with just a touch, so your cooking receives exactly the right heat at exactly the right time.

Always perfectly clean, the surface surrounding your pan stays cool allowing you to quickly wipe off any spillages from your hob.

Countries available in

UAE | Qatar | Kuwait | Oman | Bahrain | Iraq | Jordan | Lebanon

Features

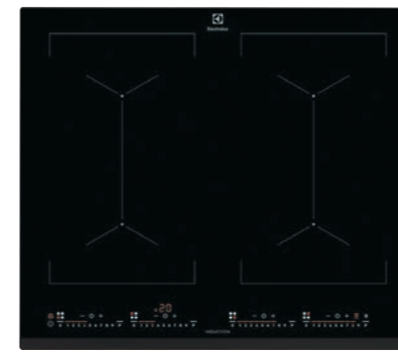
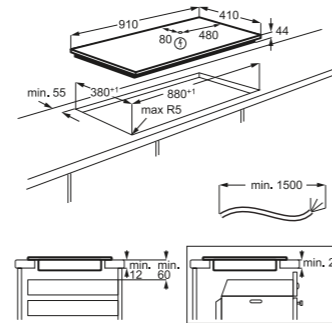
- Hob type: Induction
- Hob with bevelled frame
- Controls position: Front Middle
- Illuminated controls
- Induction zones with power booster function
- Pot detection
- Left rear zone: Induction, 2300/3200W/210mm
- Middle rear zone: Induction, 2300/3200W/210mm
- Right rear zone: Induction, 2300/3200W/210mm
- Automatic fast heating up
- Key-lock function
- Child safety lock function
- Automatic safety switch of
- Acoustic signal with switch off option
- CountUp Timer
- EcoTimer
- Timer function
- CleverHeat function
- Easy installation thanks to snap-in system
- Main colour: Black

Technical information



Dimensions

910 (W) x 410 (D)



60cm Induction Hob
EIV644

The Multiple Bridge function on this hob offers several bridges, linking zones to create a large cooking area with automatic power alignment for optimum cooking performance.

MaxiSense® cooking zones adapt to the size and shape of your pan to deliver the right amount of heat to its base.

Direct touch controls enable you to turn the heat up or down on the hob accurately with just a touch, so your cooking receives exactly the right heat at exactly the right time.

Countries available in

UAE | Qatar | Kuwait | Oman | Bahrain | Iraq | Jordan | Lebanon

Features

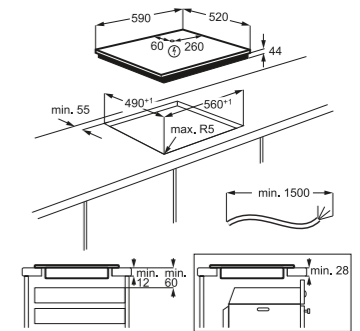
- Hob type: Induction
- Hob with bevelled frame
- Direct access: sliding touch control technology
- Controls position: Front Middle
- Illuminated controls
- Digital indications for each zone
- Induction zones with power booster function
- Pot detection
- Left front zone: Induction, 2300/3200W/180x210mm
- Left rear zone: Induction, 2300/3200W/180x210mm
- Right front zone: Induction, 2300/3200W/180x210mm
- Right rear zone: Induction, 2300/3200W/180x210mm
- Automatic fast heating up
- Key-lock function
- Child safety lock function
- Automatic safety switch off
- Acoustic signal with switch off option
- CountUp Timer
- EcoTimer
- Timer function
- CleverHeat function
- Easy installation thanks to snap-in system
- Main colour: Black

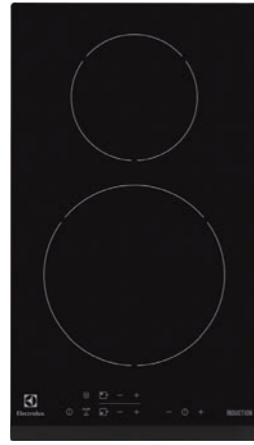
Technical information



Dimensions

590 (W) x 520 (D)





30cm Induction Hob
EHH3320NVK

Combine this modular hob with other modular hobs from Electrolux to build your own tailored mix of cooking methods – choose from gas, induction and radiant.

Thanks to this hob's professional induction technology, the surface never gets hot. So spills don't harden on, and it cleans up with just a quick wipe.

This hob's controls are designed so that you can always access them straight away. Just reach over and make your adjustments.

Countries available in

UAE | Qatar | Kuwait | Oman | Bahrain | Iraq | Jordan | Lebanon

Features

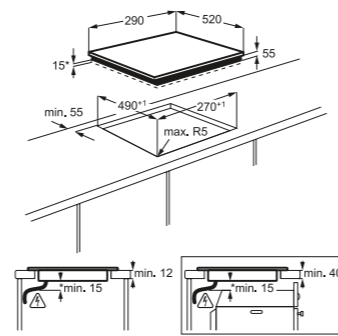
- Independent hob with controls
- Hob with bevelled frame
- Touch-control
- Controls position: Front Middle
- Illuminated controls
- Induction zones with power booster function
- Pot detection
- Front zone: Induction, 2300/3700W/210mm
- Rear zone: Induction, 1400/2500W/145mm
- Cooking zones: Induction, 2300/3700W/210mm (front) - Induction, 1400/2500W/145mm (rear)
- Automatic fast heating up
- Stop & Go function for short interruptions
- Key-lock function
- Child safety lock function
- Automatic safety switch off
- Acoustic signal
- Timer function
- Residual heating indicator: 7 Segments
- Easy installation thanks to snap-in system
- Main colour: Black

Technical information



Dimensions

290 (W) x 520 (D)



90cm Ceramic Hob
EHF9557XOK

Use large pots and pans like a professional chef! The extra-large paella cooking zone on this hob gives you the freedom to easily prepare all kinds of dishes requiring large pans.

The Touch controls on this hob let you turn the heat up, down or off – immediately. They're precise and easy to use: just use a fingertip to gently slide to the temperature you need. You can be confident they'll do what you want them to at just the right moment.

With five cooking zones, this hob gives you the flexibility you need to prepare several dishes at the same time.

Countries available in

UAE | Qatar | Kuwait | Oman | Bahrain | Iraq | Jordan | Lebanon

Features

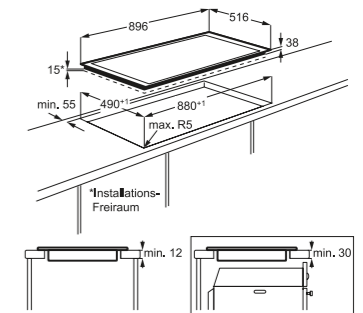
- Hob type: Electric with ceramic glass
- Independent hob with controls
- Direct Access: Sliding touch control technology
- Controls position: Front Middle
- Illuminated controls
- Left front zone: Hilight, 1800W/180mm
- Left rear zone: Hilight, 1200W/145mm
- Middle front zone: Hilight, Paella, Triple Circuit Round, 1050/1950/2700W/145/210/270mm
- Right front zone: Hilight, 1800W/180mm
- Right rear zone: Dual Circuit Oval, Hilight, 1400/2200W/170x265mm
- Automatic fast heating up
- Stop & Go function for short interruptions
- Key-lock function
- Child safety lock function
- Automatic safety switch off
- Acoustic signal with switch off option
- CountUp Timer
- EcoTimer™
- Timer function
- CleverHeat™ function
- Easy installation thanks to snap-in system
- Main colour: Stainless Steel

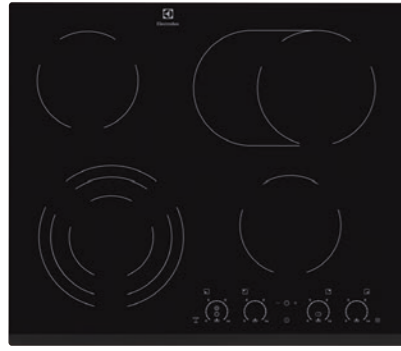
Technical information



Dimensions

896 (W) x 516 (D)





60cm Ceramic Hob
EHF6747FOK

The Touch controls on this hob let you turn the heat up, down or off – immediately. They're precise and easy to use: just use a fingertip to gently slide to the temperature you need. You can be confident they'll do what you want them to at just the right moment.

Do justice to your ambitions with seafood. This hobs oval FishZone is perfect for creating a gentle, even heat under your fish pan.

This hob's controls are designed so that you can always access them straight away. Just reach over and make your adjustments.

Countries available in

UAE | Qatar | Kuwait | Oman | Bahrain | Iraq | Jordan | Lebanon

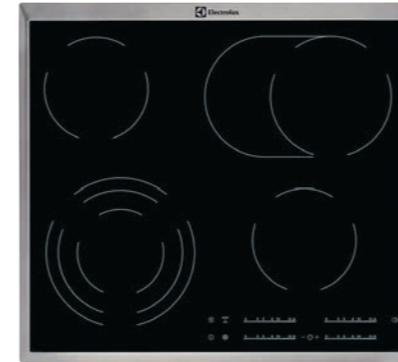
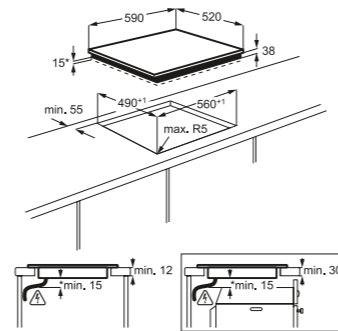
Features

- Hob type: Electric with ceramic glass
- Independent hob with controls
- Hob with bevelled frame
- Controls position: Front Right
- Illuminated controls
- Left front zone: Hilight, Triple Circuit Round, 800/1600/2300W/120/175/210mm
- Left rear zone: Hilight, 1200W/145mm
- Right front zone: Hilight, 1200W/145mm
- Right rear zone: Dual Circuit Oval, Hilight, 1500/2400W/170x265mm
- Automatic fast heating up
- Stop & Go function for short interruptions
- Key-lock function
- Child safety lock function
- Automatic safety switch off
- Acoustic signal with switch off option
- CountUp Timer
- EcoTimer™
- Timer function
- CleverHeat™ function
- Easy installation thanks to snap-in system
- Direct access rotary
- Rotary slide controls

Technical information



Dimensions (mm)
590 (W) x 520 (D)



60cm Ceramic Hob
KT6421XE

The Touch controls on this hob let you turn the heat up, down or off – immediately. They're precise and easy to use: just use a fingertip to gently slide to the temperature you need. You can be confident they'll do what you want them to at just the right moment.

Do justice to your ambitions with seafood. This hob's oval FishZone is perfect for creating a gentle, even heat under your fish pan.

Countries available in

UAE | Qatar | Kuwait | Oman | Bahrain | Iraq | Jordan | Lebanon

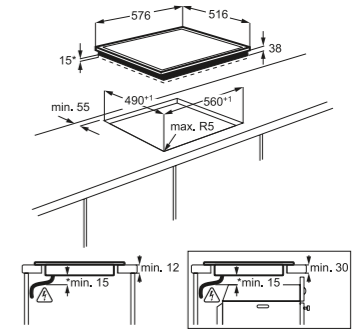
Features

- Power Management
- Independent hob with controls
- Direct Access: sliding touch control technology
- Controls position: Front Right
- Illuminated controls
- Left front zone: Hilight, Triple Circuit Round, 800/1600/2300W/120/175/210mm
- Left rear zone: Hilight, 1200W/145mm
- Right front zone: Hilight, 1200W/145mm
- Right rear zone: Dual Circuit Oval, Hilight, 1500/2400W/170x265mm
- Automatic fast heating up
- Stop & Go function for short interruptions
- Key-lock function
- Child safety lock function
- Automatic safety switch off
- Acoustic signal with switch off option
- CountUp Timer
- EcoTimer™
- Timer function
- CleverHeat™ function
- Easy installation thanks to snap-in system
- Main colour: Stainless Steel

Technical information



Dimensions (mm)
576 (W) x 516 (D)





60cm Ceramic Hob
EHF6240XOK

These touch controls are designed to be as compact as possible, without sacrificing readability, giving you more space to get creative when you're cooking.

This hob's controls are designed so that you can always access them straight away. Just reach over and make your adjustments.

With this hob, you always know exactly which zones are still hot, thanks to the residual heat indicators, which cleverly reveal where the heat is.

Countries available in

UAE | Qatar | Kuwait | Oman | Bahrain | Iraq | Jordan | Lebanon

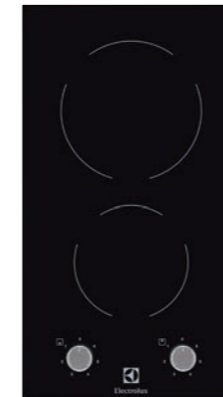
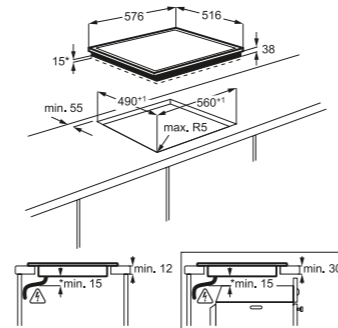
Features

- Hob type: Electric with ceramic glass
- Independent hob with controls
- Touch-control
- Controls position: Front Right
- Illuminated controls
- Left front zone: Hilight, 2300W/210mm
- Left rear zone: Hilight, 1200W/145mm
- Right front zone: Hilight, 1200W/145mm
- Right rear zone: Hilight, 1800W/180mm
- Child safety lock function
- Automatic safety switch off
- Acoustic signal
- Residual heating indicator: 7 Segments
- Easy installation thanks to snap-in system
- Main colour: Black
- Touch controls

Technical information



Dimensions (mm)
576 (W) x 516 (D)



30cm Ceramic Hob
EHF3920BOK

Combine this modular hob with other modular hobs from Electrolux to build your own tailored mix of cooking methods – choose from gas, induction and radiant.

At the front of this hob are the rotary control knobs. They're designed to be easy to twist and turn when you change the power levels of your hob.

The ceramic glass surface of this hob is so easy to clean. A simple wipe, and you are done.

Countries available in

UAE | Qatar | Kuwait | Oman | Bahrain | Iraq | Jordan | Lebanon

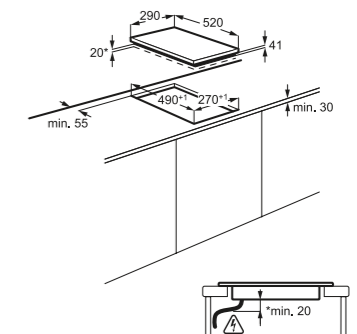
Features

- Hob type: Electric with ceramic glass
- Rotary knob controls
- Controls position: Front Left & Right
- Front zone: Hilight, 1200W/145mm
- Rear zone: Hilight, 1700W/180mm
- Easy installation thanks to snap-in system
- Main colour: Black

Technical information



Dimensions (mm)
290 (W) x 520 (D)





90cm Gas Hob
KGG9538K

The bright LED indicators on this hob will tell you if a burner is turned on or off. Whilst residual heat indicators show whether the pan supports are still hot after use, so you can enjoy cooking with gas in full confidence.

This hob buzzes to warn you when a control knob has been turned on for a long period. Or, if you've accidentally left the gas on, it reminds you to turn it off.

Countries available in

UAE | Qatar | Kuwait | Oman | Bahrain | Iraq | Jordan | Lebanon

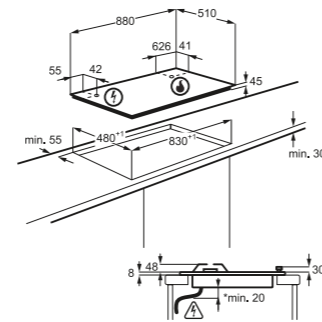
Features

- Hob type: Gas on Glass
- Rotary knob controls
- Controls position: Front Middle
- Illuminated controls
- Digital indications for each zone
- Left front zone: Mariane, Semi Rapid Burner, 2000W/80mm
- Left rear zone: Mariane, Semi Rapid Burner, 2000W/80mm
- Right front zone: Auxiliary Burner, Mariane, 1000W/65mm
- Right rear zone: Mariane, Semi Rapid Burner, 2000W/80mm
- Acoustic signal
- Electronic LED indicator for the status of the flame
- Gas conversion kit
- Main colour: Black

Technical information



Dimensions (mm)
880 (W) x 510 (D)



60cm Gas Hob
KGG6438K

The bright LED indicators on this hob will tell you if a burner is turned on or off. Whilst residual heat indicators show whether the pan supports are still hot after use, so you can enjoy cooking with gas in full confidence.

This hob buzzes to warn you when a control knob has been turned on for a long period. Or, if you've accidentally left the gas on, it reminds you to turn it off.

Countries available in

UAE | Qatar | Kuwait | Oman | Bahrain | Iraq | Jordan | Lebanon

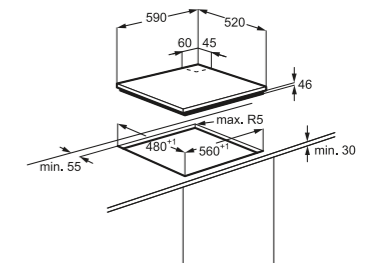
Features

- Hob type: Gas on Glass
- Rotary knob controls
- Controls position: Front Right
- Illuminated controls
- Digital indications for each zone
- Left front zone: Multicrown WOK Burner, 3900W/128mm
- Left rear zone: Mariane, Semi Rapid Burner, 2000W/80mm
- Right front zone: Auxiliary Burner, Mariane, 1000W/65mm
- Right rear zone: Mariane, Semi Rapid Burner, 2000W/80mm
- Acoustic signal
- Gas conversion kit
- Main colour: Black

Technical information



Dimensions (mm)
590 (W) x 520 (D)





60cm Gas Hob
KGG6436K

The multi-crown burner in our 4k Wok Burner is designed to provide a more powerful flame, giving you an extra boost of heat to cook authentic Asian flavours.

The pan support on this hob creates a robust and continuous grid upon which you can easily and safely place and move all pots and pans.

The SpeedBurner in this gas hob is designed to reach the bottom of pots and pans quickly, delivering a faster, more powerful flame while saving up to 20% on energy

Countries available in

UAE | Qatar | Kuwait | Oman | Bahrain | Iraq | Jordan | Lebanon

Features

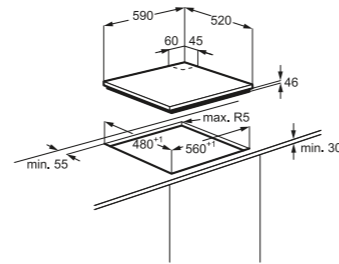
- Hob type: Gas on Glass
- Rotary knob controls
- Controls position: Front Right
- Left front zone: Multicrown WOK Burner, 3900W/128mm
- Left rear zone: Mariane, Semi Rapid Burner, 2000W/80mm
- Right front zone: Auxiliary Burner, Mariane, 1000W/65mm
- Right rear zone: Mariane, Semi Rapid Burner, 2000W/80mm
- Gas conversion kit
- Main colour: Black

Technical information



Dimensions (mm)

590 (W) x 520 (D)



30cm Gas Hob
EGC3322NOK

Create your own cooking configuration with modular Domino models. No matter what benefits of the cooking worlds you want to combine - radiant, induction, gas - everything will be possible.

This hob has quality single cast iron pan supports that are a robust and long lasting.

Because this hob has two different sizes of burner, it gives you more flexibility for using your different-sized pots and pans more effectively.

Countries available in

UAE | Qatar | Kuwait | Oman | Bahrain | Iraq | Jordan | Lebanon

Features

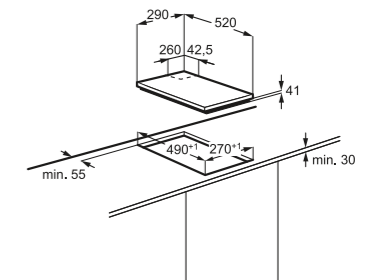
- Hob type: Gas on Glass
- Rotary knob controls
- Controls position: Front Left & Right
- Middle front zone: Auxiliary Burner, 1000W/54mm
- Middle rear zone: Rapid Burner, 2900W/100mm
- Easy installation thanks to snap-in system
- Gas conversion kit
- Main colour: Black

Technical information



Dimensions (mm)

290 (W) x 520 (D)





90cm Gas Hob
KGS9536X

Our high efficiency SpeedBurners are the quick and efficient way to cook. Unlike conventional gas hobs, our burners direct the flame to heat the base of pots and pans. This saves up to 20% of energy and cooks food quickly. Perfect for boiling, simmering, searing and frying.

The multi-crown burner in our 4k Wok Burner is designed to provide a more powerful flame, giving you an extra boost of heat to cook authentic Asian flavours.

Countries available in

UAE | Qatar | Kuwait | Oman | Bahrain | Iraq | Jordan | Lebanon

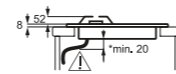
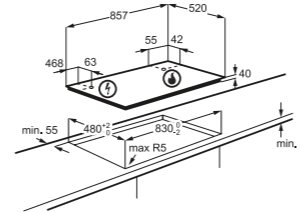
Features

- Hob type: Gas
- Rotary knob controls
- Controls position: Front Middle
- Left front zone: Semi Rapid Burner, 1900W/70mm
- Left rear zone: Semi Rapid Burner, 1900W/70mm
- Right front zone: Rapid Burner, 3000W/100mm
- Right rear zone: Auxiliary Burner, 1000W/54mm
- Integrated electric ignition through control knob
- Gas safety thermocouples: gas is cut off at source if the flame fails
- Cast iron pan supports
- Gas conversion kit
- Main colour: Stainless Steel

Technical information



Dimensions (mm)
858 (W) x 521 (D)



60cm Gas Hob
KGU64361Z

Enjoy cooking without guesswork using our 700 Pro StepPower gas hob. The flames can be regulated precisely in 9 power levels, delivering repetitive great results every time.

Manage the flame on your gas hob precisely with our StepPower controls. Select a heat level from 1 to 9, making it easy to set the right power without having to bend down to look.

Our high efficiency SpeedBurners are the quick and efficient way to cook. Unlike conventional gas hobs, our burners direct the flame to heat the base of pots and pans. This saves up to 20% of energy and cooks food quickly. Perfect for boiling, simmering, searing and frying.

Countries available in

UAE | Qatar | Kuwait | Oman | Bahrain | Iraq | Jordan | Lebanon

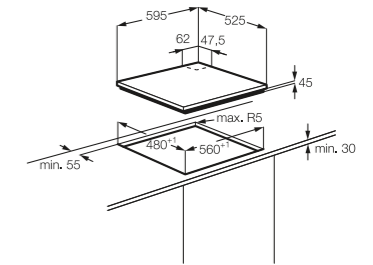
Features

- Hob type: Gas
- Rotary knob controls
- Controls position: Front Right
- Left front zone: Multicrown WOK Burner, 3900W/70mm
- Left rear zone: Semi Rapid Burner, 2000W/80mm
- Right front zone: Auxiliary Burner, 1000W/65mm
- Right rear zone: Semi Rapid Burner, 2000W/80mm
- Integrated electric ignition through control knob
- Gas safety thermocouples: Gas is cut off at source if the flame fails
- Ultraflat design
- Cast iron pan supports
- Gas conversion kit
- Main colour: Stainless Steel

Technical information



Dimensions (mm)
595 (W) x 525 (D)





60cm Gas Hob
KGS6424X

The extended design of the pan supports on this appliance provide even better stability for pots and pans of all sizes when you place them on the hob.

This hob's slim profile will seamlessly fit into any kitchen. Its modern lines are designed to look sleek and stylish.

The SpeedBurner in this gas hob is designed to reach the bottom of pots and pans quickly, delivering a faster, more powerful flame while saving up to 20% on energy.

Countries available in

UAE | Qatar | Kuwait | Oman | Bahrain | Iraq | Jordan | Lebanon

Features

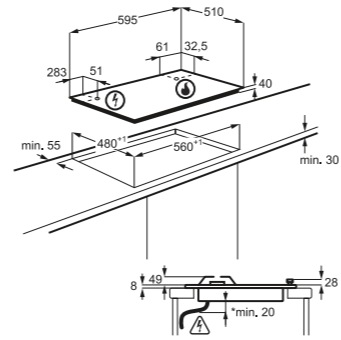
- Hob type: Gas
- Rotary knob controls
- Controls position: Front Right
- Left front zone: Mariane, Rapid Burner, 3000W/100mm
- Left rear zone: Mariane, Semi Rapid Burner, 1900W/70mm
- Right front zone: Auxiliary Burner, Mariane, 1000W/54mm
- Right rear zone: Mariane, Semi Rapid Burner, 1900W/70mm
- Gas conversion kit
- Main colour: Stainless Steel

Technical information



Dimensions (mm)

595 (W) x 510 (D)





Hoods

Hood key highlights	58
Hood range	60



Hoods key highlights

How innovation across our Inspiration Range helps you in the home.

Benefits of LED lights vs. normal lamps:

01/ Low energy consumption

Reduction of energy consumption up to 70%.

02/ Sustainability

No use of quicksilver, sodium, plumb or other heavy metals. Reduction of air pollution and heat generation.

03/ Good life expectancy

Life expectancy of 50,000 hours/10 years.
Reduction of maintenance cost.



8-12 changes of air per hour

Extraction Rate Calculation

Air-flow is the capacity of the hood to extract air from the kitchen. Air-flow is expressed in m³/w (cubic meters per hour) and indicates the quantity of cubic meters of air that the hood can extract in one hour at maximum power. A larger number means a faster rate of extraction but not necessarily a better hood for you. A suitable cooker hood will be able to change the air in your kitchen at least 8 times in an hour but ideally 12 times.

Volume of kitchen (length x width x height)

e.g. 4m x 3m x 2.5m = 30m³

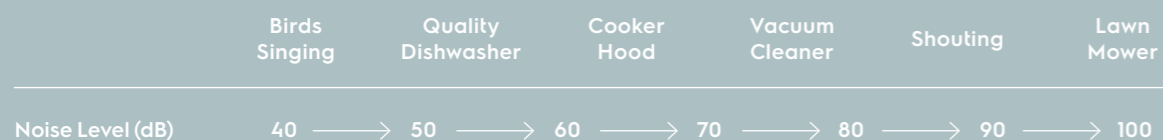
12 changes of air per hour



Extraction & recirculation

The most efficient way to remove steam and odours is to extract the air out of the room through ducting. Alternatively air in the room can be recirculated.

Stale air is sucked through a grease filter and then a charcoal filter for purification, and then pumped back into the kitchen via an opening in the hood.





Island Hood
LFI519X

With its stylishly curved design in stainless steel and glass, this cooker hood will certainly make a lasting impression on your kitchen layout.

This extra wide island cooker hood covers the entire hob surface, even if you have an extra wide model.

This advanced cooker hood features a powerful motor that whisks away cooking fumes quickly. So you can enjoy a cleaner atmosphere for cooking, eating and relaxing.

Countries available in

UAE | Qatar | Kuwait | Oman | Bahrain | Iraq | Lebanon

Features

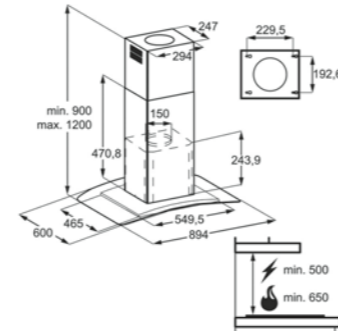
- Installation type: Island, width 90cm
- Number of speeds: 3
- Air extraction capacity (high/low): 600 / 295 m³/h
- Maximum noise level (high/low): 68 / 50 dB(A)
- Push button controls with 3 speeds
- Air extraction or recirculation possible, if charcoal filter (optional accessory) installed
- Cooker hood lamps type and number: LED spotlight, 4
- Grease filter type and number: Aluminium Cassette, 2

Technical information



Dimensions (mm)

200 (H) x 900 (W) x 600 (D)



90cm Hood
LFT319X

Create a cleaner atmosphere for you to cook, eat and relax in with this efficient cooker hood. Its reliable motor effectively reduces cooking fumes so you can enjoy your time in the kitchen more than ever.

This filter provides continually effective protection for your kitchen. And, because it's fully washable, it works to provide cleaner air in your kitchen for even longer.

Energy-efficient LEDs are ideal for sociable areas like the kitchen, where lighting is used frequently and for long periods of time. Bright, long-lasting and incredibly energy-efficient, they're an essential feature in modern homes.

Countries available in

UAE | Qatar | Kuwait | Oman | Bahrain | Iraq | Jordan | Lebanon

Features

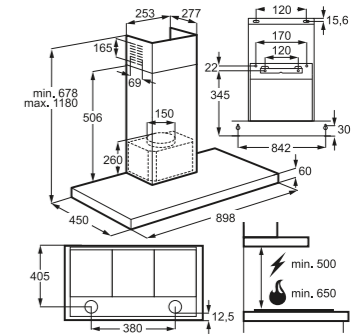
- Installation type: Chimney, width 90 cm
- Number of speeds: 3
- Air extraction capacity (high/low): 0 / 0 m³/h
- Maximum noise level (high/low): 65/46 dB(A)
- Air extraction or recirculation possible, if charcoal filter (optional accessory) installed
- Cooker hood lamps type and number: LED bulb, 2
- Grease filter type and number: Aluminium Cassette, 3

Technical information



Dimensions (mm)

1180 (H) x 898 (W) x 450 (D)





60cm Hood
LFT316X

Create a cleaner atmosphere for you to cook, eat and relax in with this efficient cooker hood. Its reliable motor effectively reduces cooking fumes so you can enjoy your time in the kitchen more than ever.

This filter provides continually effective protection for your kitchen. And, because it's fully washable, it works to provide cleaner air in your kitchen for even longer.

Energy-efficient LEDs are ideal for sociable areas like the kitchen, where lighting is used frequently and for long periods of time. Bright, long-lasting and incredibly energy-efficient, they're an essential feature in modern homes.

Countries available in

UAE | Qatar | Kuwait | Oman | Bahrain | Iraq | Jordan | Lebanon

Features

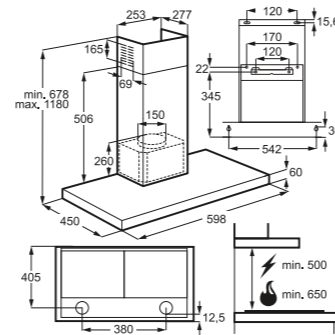
- Installation type: Chimney, width 60 cm
- Number of speeds: 3
- Air extraction capacity (high/low): 400 / 240 m³/h
- Maximum noise level (high/low): 65/46 dB(A)
- Air extraction or recirculation possible, if charcoal filter (optional accessory) installed
- Cooker hood lamps type and number: LED bulb, 2
- Grease filter type and number: Aluminium Cassette, 2

Technical information



Dimensions (mm)

1180 (H) x 598 (W) x 450 (D)



Chimney Hood
LFC319X

Your cooker hood functions can be easily reached with our intuitive electronic controls. Adjust the light settings or the fan speed for fast, flexible cooking.

This filter provides continually effective protection for your kitchen. And, because it's fully washable, it works to provide cleaner air in your kitchen for even longer.

Create a cleaner atmosphere for you to cook, eat and relax in with this efficient cooker hood. Its reliable motor effectively reduces cooking fumes so you can enjoy your time in the kitchen more than ever.

Countries available in

UAE | Qatar | Kuwait | Oman | Bahrain | Iraq | Lebanon

Features

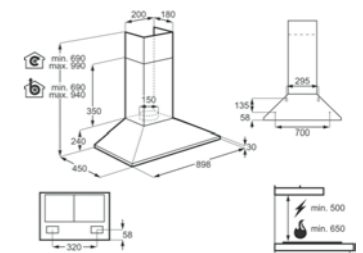
- Installation type: Chimney, width 90cm
- Number of speeds: 3
- Air extraction capacity (high/low): 420 / 235 m³/h
- Push button controls with 3 speeds
- Air extraction or recirculation possible, charcoal filter included.
- Cooker hood lamps type and number: LED bulb, 2
- Grease filter type and number: Aluminium Cassette, 3

Technical information



Dimensions (mm)

940 (H) x 898 (W) x 450 (D)





Chimney Hood
LFC316X

Your cooker hood functions can be easily reached with our intuitive electronic controls. Adjust the light settings or the fan speed for fast, flexible cooking.

This filter provides continually effective protection for your kitchen. And, because it's fully washable, it works to provide cleaner air in your kitchen for even longer.

Create a cleaner atmosphere for you to cook, eat and relax in with this efficient cooker hood. Its reliable motor effectively reduces cooking fumes so you can enjoy your time in the kitchen more than ever.

Countries available in

UAE | Qatar | Kuwait | Oman | Bahrain | Iraq | Lebanon

Features

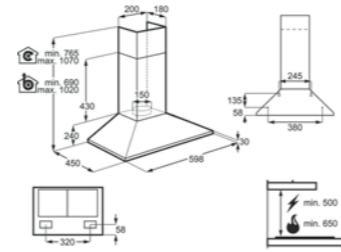
- Installation type: Chimney, width 60cm
- Number of speeds: 3
- Air extraction capacity (high/low): 420 / 235 m³/h
- Push button controls with 3 speeds
- Air extraction or recirculation possible, if charcoal filter (optional accessory) installed
- Cooker hood lamps type and number: LED bulb, 2
- Grease filter type and number: Aluminium Cassette, 2

Technical information



Dimensions (mm)

1020 (H) x 598 (W) x 450 (D)



Traditional Hood
LFU119X

Your cooker hood functions can be easily reached with our intuitive electronic controls. Adjust the light settings or the fan speed for fast, flexible cooking.

Create a cleaner atmosphere for you to cook, eat and relax in with this efficient cooker hood. Its reliable motor effectively reduces cooking fumes so you can enjoy your time in the kitchen more than ever.

This filter provides continually effective protection for your kitchen. And, because it's fully washable, it works to provide cleaner air in your kitchen for even longer.

Countries available in

UAE | Qatar | Kuwait | Oman | Bahrain | Iraq | Lebanon

Features

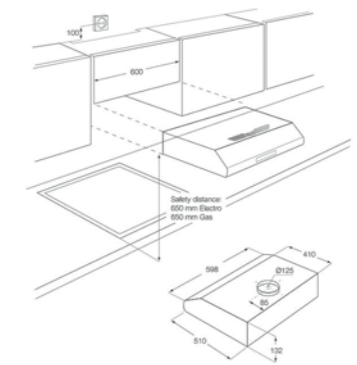
- Installation type: Traditional, width 90cm
- Number of speeds: 3
- Maximum noise level (high/low): 69 / 59 dB(A)
- Slider controls with 3 speeds
- Air extraction or recirculation possible, charcoal filter included
- Cooker hood lamps type and number: LED bulb, 2
- Grease filter type and number: Aluminium Cassette, 3

Technical information



Dimensions (mm)

132 (H) x 899 (W) x 510 (D)





Traditional Hood
LFU116X

The traditional design of this quality cooker hood makes for a discrete yet stylish addition to any kitchen layout.

Your cooker hood functions can be easily reached with our intuitive electronic controls. Adjust the light settings or the fan speed for fast, flexible cooking.

Create a cleaner atmosphere for you to cook, eat and relax in with this efficient cooker hood. Its reliable motor effectively reduces cooking fumes so you can enjoy your time in the kitchen more than ever.

Countries available in

UAE | Qatar | Kuwait | Oman | Bahrain | Iraq | Lebanon

Features

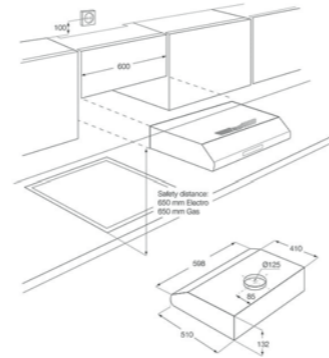
- Installation type:
Traditional, width 60cm
- Number of speeds: 3
- Air extraction capacity
(high/low): 336 / 135 m³/h
- Maximum noise level
(high/low): 69 / 59 dB(A)
- Slider controls with 3 speeds
- Air extraction or recirculation possible, charcoal filter included
- Cooker hood lamps type and number: LED bulb, 2
- Grease filter type and number: Aluminium Cassette, 2

Technical information



Dimensions (mm)

132 (H) x 598 (W) x 510 (D)



60cm Hood
LFP326X

Our discreet cooker hood fits neatly into your kitchen furniture. The sleek lines complement any decor, and the modern glass folds out to catch more vapours and odours. And of course, its sleek and understated finishes adds a touch of class to your existing decor.

This filter provides continually effective protection for your kitchen. And, because it's fully washable, it works to provide cleaner air in your kitchen for even longer.

Your cooker hood functions can be easily reached with our mechanical controls. Adjust the light settings or the fan speed for fast, flexible cooking.

Countries available in

UAE | Qatar | Kuwait | Oman | Bahrain | Iraq | Lebanon

Features

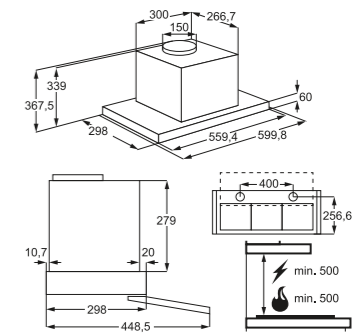
- Installation type:
Pull-out, width 60 cm
- Number of speeds: 3
- Air extraction capacity
(high/low): 400 / 180 m³/h
- Maximum noise level (high/low):
66/51 dB(A)
- Push button controls with
3 speeds
- Air extraction or recirculation possible, if charcoal filter (optional accessory) installed
- Cooker hood lamps type and number: LED spotlight, 2
- Grease filter type and number: Aluminium mesh, 2

Technical information



Dimensions (mm)

339 (H) x 560 (W) x 298 (D)





Cooling

Cooling Key Highlights	70
Cooling Range	72



Cooling key highlights

We all know that fresh food is tasty and healthy, but how do you keep perishable items that way until you want to savour them? The problem with traditional frost-free fridges is that they maintain humidity at too low a level, causing food to dry out and lose its goodness quickly.

Until now, the only answer has been endless grocery trips.

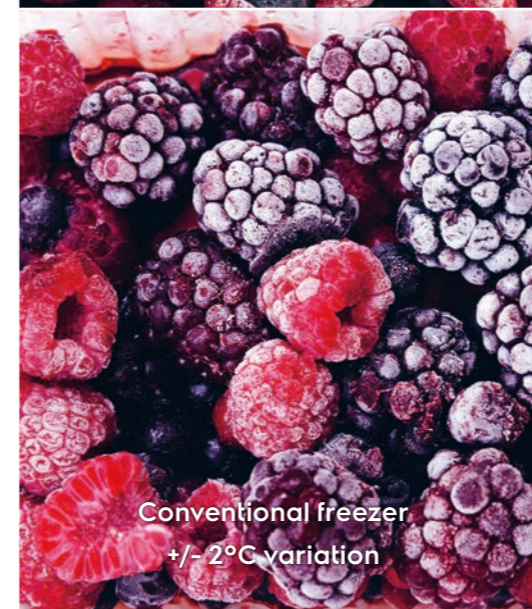
TwinTech® means twice as smart

Electrolux fridge-freezers with the TwinTech® System lets every ingredient keep its great taste for longer. This TwinTech® System provides the optimal climate inside the fridge for longer-lasting freshness, while preventing the buildup of any frost in the freezer.



Market fresh produce, even after seven days

This is no hollow claim, FreshPlus is certified by the independent SGS Institute as the 'No.1 in preserving food's natural freshness'.



NoFrost, forever

Our NoFrost technology prevents ice from building up in the freezer, so you never have to defrost it again. Making it more hygienic and easier to clean, while giving you extra room to store the ingredients that you love.



Built-in Freezer
EUC2244AOW

This upright freezer features the FrostFree system, so it will never frost up again. In addition, it also has an environmentally friendly A+ energy rating.

When your upright freezer is crowded, it can be difficult to find what you need. With the SpacePlus® freezer drawer, you get an at-a-glance overview of everything inside.

The FastFreeze function freezes fresh foods faster so vitamins, texture, flavour and all healthy qualities are preserved better. That means this freezer assures you will get the most of your groceries.

Countries available in

UAE | Qatar | Kuwait | Oman | Bahrain | Iraq | Lebanon

Features

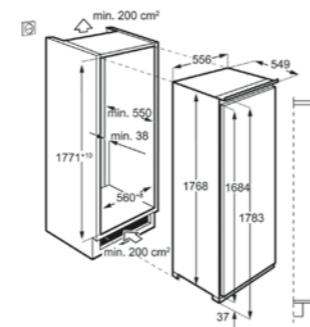
- For fully integrated, door-on-door installation
- Net capacity freezing compartment: 204L
- Electronic controls with LCD display
- FrostFree freezer with automatic defrosting
- Door hinges placement: Right & Reversible
- Freezer drawers: 5 Full Width Transparent Plastic
- Freezer flap(s): 2, Transparent Plastic
- Fast Freeze function with auto return to normal settings
- Audible and visual warning signal for high temperature
- Audible and visual warning signal for open door
- Noise level: only 39 dB
- Other internal features: 2 Accumulators
- Freezer colour/design: White
- 1780 mm built-in height

Technical information



Dimensions (mm)

1769 (H) x 556 (W) x 549 (D)



Built-in Refrigerator
ERC3214AOW

Store food in whichever area of the fridge you choose. It will stay just as fresh wherever you put it because the intelligent FreeStore® system distributes cooled air evenly.

Whatever's on the menu, you can store all your fresh ingredients in the new SpacePlus® vegetable drawer. It's simple to organise, move and access.

Check out the contents of your refrigerator using premium LED technology. This energy saving lighting system gives you excellent visibility.

Countries available in

UAE | Qatar | Kuwait | Oman | Bahrain | Iraq | Lebanon

Features

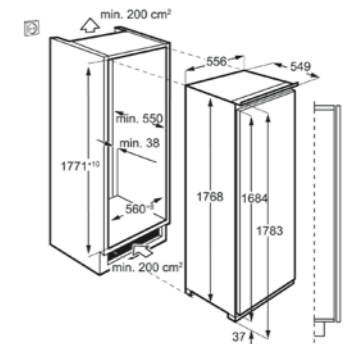
- For fully integrated, door-on-door installation
- Net capacity cooling compartment 310L
- Extremely silent: only 35 dB
- Automatic defrosting of the cooling compartment
- Holiday function to minimize energy consumption during long absence avoiding mould and bad odours
- Shopping function quickly assures the desired refrigeration temperature
- Electronic touch controls with digital indications
- Audible & visual open door warning signal
- Refrigerator shelves: 4 Full Width + 1 Flexi shelf, Glass full width with front and rear trim
- Egg tray: 2 for 6 eggs
- Refrigerator lighting: 1, Internal LED, Side
- Refrigerator colour/design: White
- Door hinges placement: Right & Reversible
- 1780 mm built-in height
- Fan air circulation for even temperature throughout the fridge

Technical information



Dimensions (mm)

1769 (H) x 556 (W) x 549 (D)





Built-in Fridge Freezer
ENC2853AOW

Electrolux TwinTech® FrostFree technology with FreeStore® guarantees an optimal humidity level in the refrigerator. Food keeps its fresh taste and texture for much longer thanks to the independent air cooling systems of the fridge and the frost free freezer.

The LCD display and Touch Controls put temperature and function settings at your fingertips, so your food and wine maintains its ideal temperature.

Check out the contents of your fridge freezer using premium LED technology. This energy-saving lighting system gives you excellent visibility.

Countries available in

UAE | Qatar | Kuwait | Oman | Bahrain | Iraq | Lebanon

Features

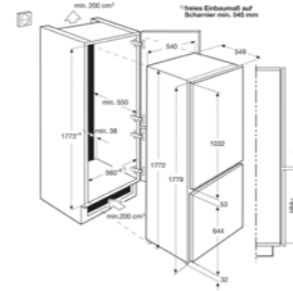
- For fully integrated, door-on-door installation
- Net capacity freezing compartment: 61L
- Net capacity refrigeration compartment: 188L
- Very silent: only 39 dB
- Automatic defrosting of the freezer compartment
- Automatic defrosting of the cooling compartment
- Fan air circulation for even temperature throughout the fridge
- Shopping function quickly assures the desired refrigeration temperature
- Fast Freeze function with auto return to normal settings
- Holiday function to minimise energy consumption during long absence avoiding mould and bad odours
- Audible and visible high temperature warning signal
- Audible and visible warning signal for open door
- Electronic temperature controls with LCD display
- Separate controls for freezing and cooling compartment
- Refrigerator lighting: 1, Internal. LED, Side
- Refrigerator shelves: 3 Full Width + 1 Flexi shelf, Glass full width with front and rear trim
- Egg tray: 2 for 6 eggs
- Freezer drawers: 3 Full Width, Transparent Plastic
- Refrigerator drawers: 2 Half Width

Technical information



Dimensions (mm)

1769 (H) x 560 (W) x 549 (D)



Built-in Fridge Freezer
ENN2801EOW

If you store your fresh food in this fridge's drawer, the humidity control will make sure that the texture of every item remains fresh, preserving that crisp and juicy sensation.

Check out the contents of your fridge freezer using premium LED technology. This energy-saving lighting system gives you excellent visibility.

Thanks to their new design, these glass shelves give you extra width and depth when packing the refrigerator. With fewer restrictions, you have more flexibility.

Countries available in

UAE | Qatar | Kuwait | Oman | Bahrain | Iraq | Lebanon

Features

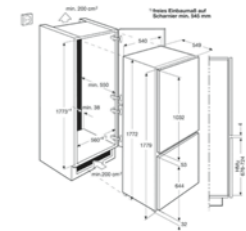
- For fully integrated, slide door installation
- Net capacity freezing compartment: 73L
- Net capacity refrigeration compartment: 198L
- Extremely silent: only 36 dB
- Automatic defrosting of the cooling compartment
- Fast Freeze function with auto return to normal settings
- Electronic touch controls with LED indications
- Refrigerator lighting: 1, Internal. LED, Side
- Refrigerator shelves: 4 Full Width, Glass full width with front and rear trim
- Egg tray: 2 for 6 eggs
- Freezer shelves: 2, Full Width, Glass
- Freezer drawers: 3 Full Width, Transparent Plastic
- Refrigerator drawers: 2 Half Width, Transparent Plastic
- Door hinges placement: Right & Reversible
- Other internal freezer features: Ice scraper
- 1780mm built-in height
- Fridge freezer colour/design: White

Technical information



Dimensions (mm)

1772 (H) x 560 (W) x 549 (D)





Dishcare

- World's first ComfortLift® Dishwasher 78
- Dishcare key highlights 80
- Dishcare Range 82



Raising the standard. The world's first ComfortLift® Dishwasher

The world first 900 ComfortLift® dishwasher takes the effort out of loading and unloading. Our unique technology lifts the basket up to waist level in one effortless motion, with a light squeeze of a handle. It's so convenient, you'll wonder how you lived without it.

ComfortLift® takes the effort out of loading and unloading

Equipped with a special lower rack lifting mechanism to ensure less bending when unloading the dishes to make your life more comfortable.



Design awards for product innovation



Removable Tray

Designed to have the capacity for up to 13 cutlery sets, the removable cutlery tray is the ideal way to clean. It even has an extended space for washing long and bulky utensils.



Dishcare key highlights



SoftGrip

Say goodbye to hand washing your delicate glasses, with our clever SoftGrip wine glass holders, which keep glasses tightly but firmly in place throughout the full cycle.



AirDry

Our smart AirDry technology uses natural airflow for perfectly dry dishes



SatelliteClean®

Complete coverage with SatelliteClean



ComfortLift®, the first liftable basket
Our award winning 900 ComfortLift® feature means that you no longer have to bend down to load or unload the dishwasher. With a light squeeze of the handle, the lower rack glides smoothly up to you. It's a world-first from us, for your comfort.



Dishwasher
ESL7845RA

ComfortLift® is the first of its kind, giving you easier access to your dishes in a more convenient way than ever before. The unique mechanism lets you gently lift the lower rack up towards you, taking the effort out of loading and unloading.

Our ComfortRails smoothly slides the rack in your dishwasher without disruption. The rails gently stop the basket without any rattle of the plates. A better care for your dishes – and quiet too.

Countries available in

UAE | Qatar | Kuwait | Oman | Bahrain | Iraq | Lebanon

Features

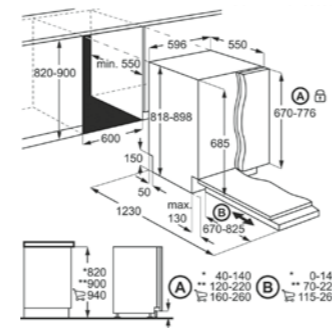
- Energy efficiency (2010/30/EC): A+++
- Installation: FI
- Loading capacity: 13 IEC settings
- Noise level: only 39 (dB(A) re 1 pW)(2010/30/EC)
- Water and energy consumption: 11L, 0.857 KWh for programme Eco 50
- Glass protection programme
- MyFavourite – activate your favourite programme and settings at one touch
- 7 programmes, 5 temperatures
- Dishwasher programmes: AutoFlex 45°-70°, Eco 50, FLEXIWASH, GlassCare 45°, Intensive 70, QuickPlus 60°, Rinse & Hold
- FlexiSpray Satellite spray arm
- Multilingual LCD display
- Auto Off function
- Thermo Efficient System
- Warm water connection up to 60°C
- Delay start option from 1 to 24 hours
- XXL dishwasher for RealLife loads with 10L extra internal capacity
- SensorControl dishwasher
- Water sensor detects the level of dirt and adjusts water consumption
- Indications for salt and rinse aid
- TimeBeam®, indication of remaining time on floor
- Internal light for optimal visibility in the dishwasher
- Upper basket with FlexiLift
- Height adjustable upper basket, even when fully loaded
- Upper basket with 2 Foldable racks, 2 Foldable wires for glasses, 2 Soft Spikes, 6 wine glass soft grips

Technical information



Dimensions (mm)

818 (H) x 596 (W) x 550 (D)



Dishwasher
ESL7540RO

ComfortLift® is the first of its kind, giving you easier access to your dishes in a more convenient way than ever before. The unique mechanism lets you gently lift the lower rack up towards you, taking the effort out of loading and unloading.

The spacious and removable cutlery tray makes loading, washing and unloading your cutlery and utensils easier. This offers optimal space and functionality and has capacity for up to 13 cutlery settings.

Countries available in

UAE | Qatar | Kuwait | Oman | Bahrain | Iraq | Lebanon

Features

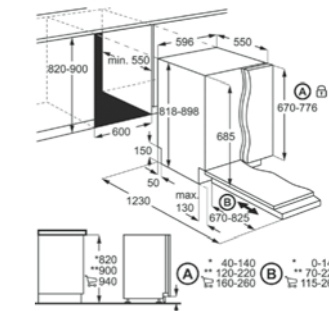
- Energy efficiency (2010/30/EC): A++
- Installation: FI
- Loading capacity: 13 IEC settings
- Noise level: only 44 (dB(A) re 1 pW)(2010/30/EC)
- Water and energy consumption: 11L, 0.961 KWh for programme Eco 50
- Glass protection programme
- MyFavourite – activate your favourite programme and settings at one touch
- 7 programmes, 5 temperatures
- Dishwasher programmes: AutoFlex 45°-70°, Eco 50, FLEXIWASH, GlassCare 45°, Intensive 70, QuickPlus 60°, Rinse & Hold
- FlexiSpray Satellite spray arm
- Text/symbol panel
- Auto Off function
- Thermo Efficient System
- Warm water connection up to 60°C
- Delay start option from 1 to 24 hours
- Remaining time indication
- SensorControl dishwasher
- Water sensor detects the level of dirt and adjusts water consumption
- Indications for salt and rinse aid
- Beam on Floor with two colours
- Upper basket with FlexiLift
- Height adjustable upper basket, even when fully loaded
- Lower basket with 4 foldable plate racks Comfort Lift®, Stainless steel

Technical information



Dimensions (mm)

820/900 (H) x 600 (W) x 570 (D)





Dishwasher
ESL8550RA

Satellite spray arm continuously changes the angle of the spray to reach every corner, even in the most crowded load.

Say goodbye to hand washing your delicate glasses, with our clever SoftGrip wine glass holders, which keep glasses tightly but firmly in place throughout the full cycle.

Countries available in

UAE | Qatar | Kuwait | Oman | Bahrain | Iraq | Lebanon

Features

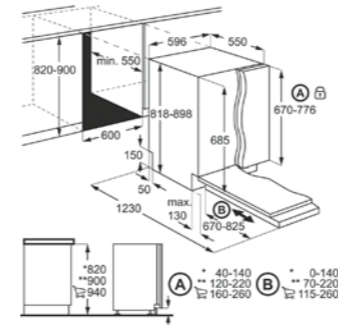
- Energy efficiency (2010/30/EC): A++
- Installation: FI
- Loading capacity: 15 IEC settings
- Noise level: only 44 (dB(A) re 1 pW)(2010/30/EC)
- Water and energy consumption: 11L, 0.961 KWh for programme Eco 50
- Glass protection programme
- MyFavourite – activate your favourite programme and settings at one touch
- 6 programmes, 5 temperatures
- Dishwasher programmes: AutoFlex 45°-70°, Eco 50, FLEXIWASH, GlassCare 45°, Intensive 70, QuickPlus 60°
- FlexiSpray Satellite spray arm
- Text/symbol panel
- Panel with 3 digits display
- Auto Off function
- Thermo Efficient System
- Warm water connection up to 60°C
- Delay start option from 1 to 24 hours
- Remaining time indication
- XXL dishwasher for RealLife loads with 10L extra internal capacity
- SensorControl dishwasher
- Water sensor detects the level of dirt and adjusts water consumption
- Indications for salt and rinse aid
- Beam on Floor with two colours
- Upper basket with FlexiLift
- Height adjustable upper basket, even when fully loaded
- Upper basket with 2 Foldable racks, 2 Foldable wires for glasses

Technical information



Dimensions (mm)

818 (H) x 596 (W) x 550 (D)



Dishwasher
ESL5205LO

Our AirDry technology finishes each dishwashing cycle with a breath of fresh air. The door is set slightly ajar during the last part of the drying phase without you having to lift a finger. Natural air can circulate inside the machine, leaving your plates and cutlery completely dry.

The intensive programme ensures an efficient and powerful clean for even the dirtiest loads, thanks to a 70°C water jet.

For when you have a light load, the 30-minute quick wash programme of the dishwasher offers a time saving solution with perfect washing results.

Countries available in

UAE | Qatar | Kuwait | Oman | Bahrain | Iraq | Lebanon

Features

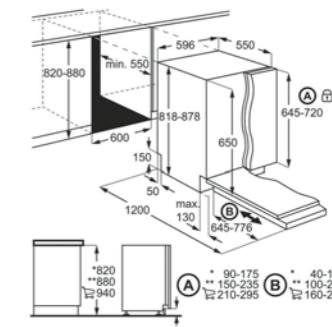
- Energy efficiency (2010/30/EC): A+
- Installation: FI
- Loading capacity: 13 IEC settings
- Noise level: only 49 (dB(A) re 1 pW)(2010/30/EC)
- Water and energy consumption: 11L, 1.039 KWh for programme Eco 50
- 5 programmes, 4 temperatures
- Dishwasher programmes: Eco 50°, Intensive 70°, Normal 65°, QuickPlus 60°, Rinse & Hold
- Panel with symbols
- Thermo Efficient System
- Warm water connection up to 60°C
- Delay start option: 3h
- SensorControl dishwasher
- Indications for salt and rinse aid
- Height adjustable upper basket
- Upper basket with Foldable cup shelves
- Lower basket with Fixed plate racks
- Cutlery basket
- Waterstop System
- Automatic door opener

Technical information



Dimensions (mm)

818 (H) x 596 (W) x 550 (D)





Dishwasher
ESI525LAX

By completely tailoring the compartments inside our dishwasher, everything can fit in at once. The unique foldable racks and liftable basket mean you can reconfigure inside the machine to suit all shapes and sizes.

The convenient Time Manager function lets you reduce the dishwasher's cycle length by half, so your dishes will be ready for use whenever you need them. Ideal when you're having guests.

The dishwasher's smart AutoFlex function optimises water and energy use by adapting consumption and temperature to what the load size and soil level need for thorough cleaning.

Countries available in

UAE | Qatar | Kuwait | Oman | Bahrain | Iraq | Lebanon

Features

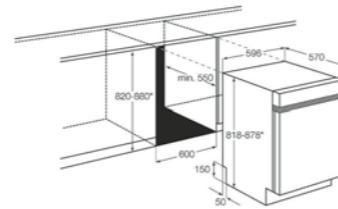
- Energy efficiency (2010/30/EC): A++
- Installation: I
- Loading capacity: 13 IEC settings
- Noise level: only 47 (dB(A) re 1 pW)(2010/30/EC)
- Water and energy consumption: 9.9L, 0.92 KWh for programme Eco 50
- Glass protection programme
- MyFavourite – activate your favourite programme and settings at one touch
- 6 programmes, 4 temperatures
- Dishwasher programmes: AutoFlex 45°-70°, Eco 50°, GlassCare 45°, Intensive 70°, QuickPlus 60°, Rinse & Hold
- Text/symbol panel
- Auto Off function
- Thermo Efficient System
- Warm water connection up to 60°C
- Delay start option from 1 to 24 hours
- Remaining time indication
- SensorControl dishwasher
- Water sensor detects the level of dirt and adjusts water consumption
- Indications for salt and rinse aid
- Upper basket with FlexiLift
- Height adjustable upper basket, even when fully loaded
- Upper basket with 2 Soft Spikes, Foldable cup shelves, Plastic handle
- Lower basket with 2 foldable plate racks, Plastic handle
- Cutlery basket
- Waterstop System
- Automatic door opener

Technical information



Dimensions (mm)

818 (H) x 596 (W) x 550 (D)





Laundry

Laundry key highlights 90
Laundry range 92



Laundry key highlights



Our DualCare System adjusts the temperature and motion of the drum to different fabrics. Lower heat and controlled movement mean that everything from delicates to outdoor wear can be carefully washed and dried in one go.



Anti-Allergy Programme

Vapour and a high performance programme remove bacteria and allergens.



FreshScent System

Even delicates are refreshed between washes with fragrance and steam.



Wool Programme

Woolens are stopped from spinning or twisting to resist shrinking.



SensiCare System

Prevents over-washing by automatically adjusting to the load size.





Washer Machine
EW7F4722NFB

Electrolux's PerfectCare 700 built-in washing machine is designed to run quietly, fit in seamlessly with other appliances and provide you with smooth results.

Its SteamCare System ends each wash with a whoosh of steam, reducing wrinkles by a third and achieving a flawless finish without ironing. Washer dryers from Electrolux are designed to perform quietly. This means that you can run a cycle while maintaining a calm and comfortable environment.

Washing machines from Electrolux are designed to perform quietly. This means that you can run a cycle while maintaining a calm and comfortable environment.

Countries available in

UAE | Qatar | Kuwait | Oman | Bahrain | Iraq

Features

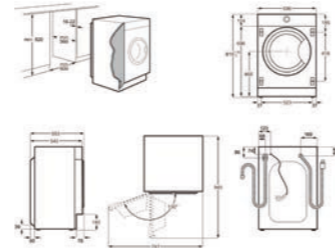
- Washing capacity: 7 kg
- Max. spin speed: 1200 rpm
- Silk program designed specifically for silk with gentle wash and adapted spin cycle
- Washing programs: ON/OFF, Cotton, Cotton Economy, Synthetics, Delicate, Antiallergy, Steam, Spin / Drain, Rinse (Rpm Dep), Duvets, Rapid, Sport, Outdoor, Denim, Wool/Silk
- Out of balance control of the drum load
- Fuzzy Logic technology, adapting to the load
- Delay start option
- Anti-foam rinse system
- Child lock
- Anti-flood protection
- Feet: 4 adj feet

Technical information



Dimensions (mm)

820 (H) x 596 (W) x 544 (D)



Washer Dryer
EW7W4762OFB

Our PerfectCare 700 built-in washer dryer is designed to run quietly, fit in seamlessly with other appliances and clean clothes in one dry-to-dry cycle.

Its DualCare system detects the fabric type and weight, then adjusts the temperature and drum movement to provide the utmost care for every item.

Washer dryers from Electrolux are designed to perform quietly. This means that you can run a cycle while maintaining a calm and comfortable environment.

Countries available in

UAE | Qatar | Kuwait | Oman | Bahrain | Iraq

Features

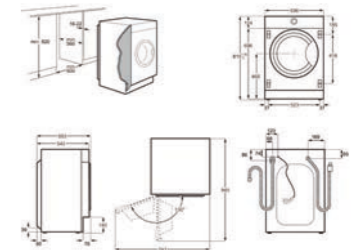
- Washing capacity: 7 kg
- Drying capacity: 4 kg
- Max. spin speed: 1600 rpm
- Condense dryer: the moisture is condensed into a water container, no air evacuation needed
- Washer-dryer for fully integrated installation
- Delay start option
- Wool program that allows 'wool' labelled items to be washed by machine
- Out of balance control of the drum load
- Child lock
- Anti-flood protection
- Feet: 4 adj feet

Technical information



Dimensions (mm)

820 (H) x 596 (W) x 544 (D)



Benefits overview

Cooking

- Automatic Hob Ignition
- Capacity: 17L
- Capacity: 26L
- Capacity: 42L
- Capacity: 70L
- Capacity: 73L
- Capacity: 74L
- Capacity: 77L
- Cast Iron Pan Support
- CleverHeat
- Cooking Zones: 2
- Cooking Zones: 4
- Count Up Timer
- Decibels: 65dB
- Decibels: 66dB
- Decibels: 67dB
- Decibels: 68dB
- Decibels: 69dB
- Defrost Cook
- Food Probe
- Full Steam
- Easy Clean
- EcoTimer
- Energy Label A
- Fast Heat Up
- Gas Burners: 4
- Gas Burners: 5
- Gas Safety Thermocouples
- Grill
- Half Steam
- Height: 45cm
- Intergrated Ignition
- Intergrated Oven Lamp
- LED Display
- MaxiSense
- MaxiSense With Bridge
- Microwave
- Microwave & Grill
- Minute Minder
- Oven Fan
- Quarter Steam
- Rapid Burner
- Rotary Controls
- Sliding Touch Control Technology
- Slim Profile
- Speeds: 3
- Step Power
- Touch Control
- Ultra Flat Design
- Watts: 1000w
- White LED Display
- Wipe Clean
- Wok Burner

Dishcare

- 13 IEC Settings
- 15 IEC Settings
- AirDry
- ComfortLift
- Decibels: 39dB
- Decibels: 44dB
- Decibels: 47dB
- Decibels: 49dB
- Energy Efficiency: A+
- Energy Efficiency: A++
- Energy Efficiency: A+++
- Programmes: 5
- Programmes: 6
- Programmes: 7
- Temperatures: 4
- Temperatures: 5
- Water Consumption: 9.9L
- Water Consumption: 11L

Cooling

- 4 Star Freezer Compartment
- Capacity: 122L
- Capacity: 204L
- Capacity: 260L
- Capacity: 310L
- Fast Freeze
- FrostFree
- SpacePlus
- TwinTech

Laundry

- Anti-Allergy
- Capacity: 7kg
- Delay Start
- DualCare System
- Energy Efficiency: A++
- FreshScent System
- SensiCare System
- SoftPlus
- Spin: 1200rpm
- Spin: 1600rpm
- SteamCare
- WoolProgramme

Ovens



EOB9956VAX



EOC5644AAX



EOA5444AAX



EOB5450AAX



EOB3400AOX



EOG9102CAX



EOG1102COX



EOM5420AAX

Main features			
Control Type	Dynamic Touch	Retractable Rotary	Retractable Rotary
Display	PC III	Digital	Digital
Display colour	White	White	White
Oven capacity (usable)	73	74	74
Number of functions	26	10	10
VelvetClosing soft close door	.	.	.
Fully programmable timer	.	.	.
Integrated recipes	.	.	.
Meat probe	.	.	.
Light position	2x Halogen side & top	1x top	1x top
Cleaning	Pyrolytic	Pyrolytic	Catalytic
Cooling fan	.	.	.
Accessories			
Number of shelves	2	2	2
Full width grill/meat pan	.	.	.
Patisserie tray	.	.	.
Appliance dimensions			
Height (mm)	594	594	594
Width (mm)	594	594	594
Depth (mm)	567	567	567
Built-in dimensions			
Height (mm)	590	590	590
Width (mm)	560	560	560
Depth (mm)	550	550	550
Performance			
Oven temperature range (°C)	30-230	30°C - 300°C	50°C - 275°C
Energy efficiency class	A	A	A
Energy efficiency class in mode static/fan	0.99	A+	A
Energy consumption fan (KWh)	0.79	0.69	0.88
Cook time standard load fan (min)	48	48	51
Energy consumption static (KWh)	1.03	0.99	0.99
Cook time standard load static (min)	53		
Largest baking sheet surface area (cm ²)	1424	1424	1418
Connected load (KW)	3.5	3.2	3.2
Fuse rating (A)	16	16	16
Oven/ grill power (max KW)	3.5/2.3	3.2/2.3	3.2/3.1
Steam power output (steam only KW)	1.5	-	-

Main features					
Control Type	Retractable Rotary	Rotary	Rotary	Rotary	Retractable Rotary
Display	LED	TFT	.	.	Digital
Display colour	White	Amber	.	.	White
Oven capacity (usable)	74	74	77	69	77
Number of functions	8	6	6	3	10
VelvetClosing soft close door
Fully programmable timer
Integrated recipes
Meat probe
Light position	1x top	1x back & side	1x top	1x top	2x side & side
Cleaning	Grey enamel	ETC	ETC	Grey Enamel	ETC
Cooling fan
Accessories					
Number of shelves	2	2	2	2	1
Full width grill/meat pan
Patisserie tray
Appliance dimensions					
Height (mm)	594	594	594	594	480
Width (mm)	594	594	898	594	890
Depth (mm)	567	568	569	567	559
Built-in dimensions					
Height (mm)	590	600	575	590	475
Width (mm)	560	560	860	560	860
Depth (mm)	550	550	560	550	550
Performance					
Oven temperature range (°C)	50-275	50-250	150-250		60-250
Energy efficiency class	A	A	N/A	N/A	A
Energy efficiency class in mode static/fan	0.89	0.79	N/A	N/A	1.15
Energy consumption fan (KWh)	0.79	0.85	N/A	N/A	0.99
Cook time standard load fan (min)	43		N/A	N/A	41
Energy consumption static (KWh)	0.89	0.79	N/A	N/A	1
Cook time standard load static (min)	48	41	N/A	N/A	43
Largest baking sheet surface area (cm ²)	1424	1424	1732	1424	1808
Connected load (KW)	3.5	2.78	2.11	0.55	2.853
Fuse rating (A)	16	16	16	16	16
Oven/ grill power (max KW)	3.5/3.1	2.78/2.7	2.11/2.0	2.7 / 1.6	2.853/2.75
Steam power output (steam only KW)	-	-	-	-	-

Compact Oven & Microwaves



EVY7800AAX



EMS26204OX



EMS17006OX



EMT25507OX



EMM20117OX

Features

Combi microwave, fan oven and grill

Duo microwave and grill

Solo microwave

Oven volume (litres)

Auto defrost by weight programmes

Auto cook by weight programmes

Control type

Display colour

Electronic clock/programmer

Quickstart

Programme end signal

Undercounter installation

In-column installation

Appliance dimensions

Height (mm)

Width (mm)

Depth (mm)

Built-in dimensions

Height (mm)

Width (mm)

Depth (mm)

Performance

Microwave output (W)

Microwave power levels

Grill output (KW)

Convection oven output (KW)

Connected load (KW)

Fuse rating (A)

	EVY7800AAX	EMS26204OX	EMS17006OX
Combi microwave, fan oven and grill	•		
Duo microwave and grill		•	
Solo microwave			•
Oven volume (litres)	43	25.37	16.8
Auto defrost by weight programmes		•	•
Auto cook by weight programmes		•	•
Control type	Touch	Push	Push
Display colour		White	White
Electronic clock/programmer	•	•	•
Quickstart	•	•	•
Programme end signal	•	•	•
Undercounter installation	•	•	•
In-column installation	•	•	•
Appliance dimensions			
Height (mm)	455	459	371
Width (mm)	594	594	594
Depth (mm)	567	417	296
Built-in dimensions			
Height (mm)	450	450	360
Width (mm)	560	562	562
Depth (mm)	550	500	300
Performance			
Microwave output (W)	1000	900	800
Microwave power levels		5	5
Grill output (KW)	1.9	1	
Convection oven output (KW)			
Connected load (KW)	3	2.4	1.2
Fuse rating (A)	16	16	10

	EMT25507OX	EMM20117OX
Combi microwave, fan oven and grill	•	
Duo microwave and grill		•
Solo microwave		•
Oven volume (litres)	25	20
Auto defrost by weight programmes	•	
Auto cook by weight programmes	•	
Control type	Touch	Knob
Display colour		
Electronic clock/programmer	•	•
Quickstart	•	•
Programme end signal	•	•
Undercounter installation	•	•
In-column installation	•	•
Appliance dimensions		
Height (mm)	388	389
Width (mm)	595	596
Depth (mm)	470	343
Built-in dimensions		
Height (mm)	380	380
Width (mm)	560	560
Depth (mm)	550	340
Performance		
Microwave output (W)	900	800
Microwave power levels	9	5
Grill output (KW)	1.1	
Convection oven output (KW)	2.5	
Connected load (KW)	1.45	1.25
Fuse rating (A)	10	8

Induction Hobs

Features	
Number of cooking zones	
Control type	
Display	
Display Colour	
Control position	
Bridge function	
Automatic heat up	
Stop & Go	
Residual heat indicator	
EcoMode	
Minute minder	
Count up timer	
Pot sensors	
Boosters	
Child lock	
Zone specification	
Front left spec	
Front left rating (KW)	
Front Left diameter (mm)	
Rear left spec	
Rear left rating (KW)	
Rear Left diameter (mm)	
Front middle spec	
Front middle rating (KW)	
Front middle diameter (mm)	
Rear middle spec	
Rear middle rating (KW)	
Rear middle diameter (mm)	
Front right spec	
Front right rating (KW)	
Front right diameter (mm)	
Rear right spec	
Rear right rating (KW)	
Rear right diameter (mm)	
Appliance dimensions	
F= Frameless, SS= Stainless steel	
Width (mm)	
Depth (mm)	

	EIT913	EIV644	EHH3320NVK
Number of cooking zones	3	4	2
Control type	Slider Touch	Slider Touch	Touch
Display	In Electronic	In Electronic	LED
Display Colour	LED	LED	Red
Control position			Front Middle
Bridge function	•	•	
Automatic heat up	•	•	•
Stop & Go			•
Residual heat indicator	•	•	•
EcoMode	•	•	
Minute minder	•	•	•
Count up timer	•	•	•
Pot sensors	•	•	•
Boosters	•	•	•
Child lock	•	•	•
Front left spec	Induction		
Front left rating (KW)	2300/3200W/180x210mm		
Front Left diameter (mm)			
Rear left spec	Induction	Induction	
Rear left rating (KW)	2300/3200W/210mm	2300/3200W/180x210mm	
Rear Left diameter (mm)			
Front middle spec	Induction		Induction
Front middle rating (KW)	2300/3200W/210mm		2.3/3.7
Front middle diameter (mm)	210		
Rear middle spec	Induction		
Rear middle rating (KW)	1.4/2.5		
Rear middle diameter (mm)	145		
Front right spec	Induction	Induction	
Front right rating (KW)	2300/3200W/210mm	2300/3200W/180x210mm	
Front right diameter (mm)			
Rear right spec	Induction		
Rear right rating (KW)	2300/3200W/180x210mm		
Rear right diameter (mm)			
Appliance dimensions			
F= Frameless, SS= Stainless steel	F	F	
Width (mm)	910	590	270
Depth (mm)	410	520	490



Ceramic Hobs



EHF9557XOK



EHF6747FOK



KT6421XE



EHF6240XOK



EHF3920BOK

Features	
Number of cooking zones	
Control type	
Display	
Control position	
Automatic heat up	
Stop & Go	
Residual heat indicator	
EcoMode	
Minute minder	
Count up timer	
Child lock	
Zone specification	
Front left spec 1	
Front left rating (KW)	
Front Left diameter (mm)	
Rear left spec 1	
Rear left rating (KW)	
Rear Left diameter (mm)	
Front middle spec 1	
Front middle rating (KW)	
Front middle diameter (mm)	
Rear middle spec 1	
Rear middle rating (KW)	
Rear middle diameter (mm)	
Front right spec 1	
Front right rating (KW)	
Front right diameter (mm)	
Rear right spec 1	
Rear right rating (KW)	
Rear right diameter (mm)	
Appliance dimensions	
Width (mm)	
Depth (mm)	
Built-in dimensions	
Width (mm)	
Depth (mm)	
Connected Load (KW)	

	EHF9557XOK	EHF6747FOK	KT6421XE
Number of cooking zones	5	4	4
Control type	Touch	Touch	Slide
Display	LED	LED	LED
Control position	Front Middle	Front Right	Front Right
Automatic heat up	•	•	•
Stop & Go	•	•	•
Residual heat indicator	•	•	•
EcoMode	•	•	•
Minute minder	•	•	•
Count up timer	•	•	•
Child lock	•	•	•
Zone specification			
Front left spec 1	Single	Triple	Triple
Front left rating (KW)			
Front Left diameter (mm)	180	210	210
Rear left spec 1	Single	Single	Single
Rear left rating (KW)	1.2	1.2	1.2
Rear Left diameter (mm)			
Front middle spec 1	Triple		
Front middle rating (KW)	2.7		
Front middle diameter (mm)	270		
Rear middle spec 1			
Rear middle rating (KW)			
Rear middle diameter (mm)			
Front right spec 1	Single	Single	Single
Front right rating (KW)	1.8	1.2	1.2
Front right diameter (mm)	180	145	145
Rear right spec 1	Dual	Dual	Dual
Rear right rating (KW)	2.2	2.2	2.4
Rear right diameter (mm)	265	265	265
Appliance dimensions			
Width (mm)	896	590	576
Depth (mm)	516	520	516
Built-in dimensions			
Width (mm)	880	560	560
Depth (mm)	490	490	490
Connected Load (KW)	7.9	7.1	2.8

	EHF6240XOK	EHF3920BOK
Number of cooking zones	4	2
Control type	Touch	Rotary
Display	LED	
Control position	Front Right	Front
Automatic heat up	•	
Stop & Go		
Residual heat indicator		
EcoMode		
Minute minder		
Count up timer		
Child lock	•	
Zone specification		
Front left spec 1	Single	Single
Front left rating (KW)		
Front Left diameter (mm)	210	145
Rear left spec 1	Single	Single
Rear left rating (KW)	1.2	1.7
Rear Left diameter (mm)		
Front middle spec 1		
Front middle rating (KW)		
Front middle diameter (mm)		
Rear middle spec 1		
Rear middle rating (KW)		
Rear middle diameter (mm)		
Front right spec 1	Single	
Front right rating (KW)	1.2	
Front right diameter (mm)	145	
Rear right spec 1	Single	
Rear right rating (KW)	1.8	
Rear right diameter (mm)	180	
Appliance dimensions		
Width (mm)	576	290
Depth (mm)	516	490
Built-in dimensions		
Width (mm)	560	270
Depth (mm)	490	490
Connected Load (KW)	6.5	2.9

Gas Hobs



KGG9538K

KGG6438K

KGG6436K

EGC3322NOK

KGS9536X

KGU6436IZ

KGS6424X

Features	
Number of cooking zones	
Ignition type	
Control Position	
Cast Iron pan supports	
Safety thermocouples	
Zone specification	
Front left spec	
Front left rating (KWh)	
Front Left diameter (mm)	
Rear left spec 1	
Rear left rating (KWh)	
Rear Left diameter (mm)	
Front middle spec 1	
Front middle rating (KWh)	
Front middle diameter (mm)	
Rear middle spec 1	
Rear middle rating (KWh)	
Rear middle diameter (mm)	
Front right spec 1	
Front right rating (KWh)	
Front right diameter (mm)	
Rear right spec 1	
Rear right rating (KWh)	
Rear right diameter (mm)	
Middle Middle spec	
Middle Middle rating (kWh)	
Middle Middle diameter (mm)	
Width (mm)	
Depth (mm)	
Built-in dimensions	
Height (mm)	
Width (mm)	

	KGG9538K	KGG6438K	KGG6436K
Number of cooking zones	5	4	4
Ignition type	Knobs	Knobs	Knobs
Control Position	On Control Knob	On Control Knob	On Control Knob
Cast Iron pan supports	Cast Iron	Cast Iron	Cast Iron
Safety thermocouples			
Zone specification			
Front left spec	Mariane;Semi Rapid Burner	Multicrown WOK Burner	Multicrown WOK Burner
Front left rating (KWh)	2000W/80mm	2000W/80mm	2000W/80mm
Front Left diameter (mm)			
Rear left spec 1	Mariane; Semi Rapid Burner	Mariane; Semi Rapid Burner	Mariane;Semi Rapid Burner
Rear left rating (KWh)	2000W/80mm	3900W/128mm	3900W/128mm
Rear Left diameter (mm)			
Front middle spec 1	No	No	No
Front middle rating (KWh)			
Front middle diameter (mm)			
Rear middle spec 1	No	No	No
Rear middle rating (KWh)			
Rear middle diameter (mm)			
Front right spec 1	Auxiliary Burner; Mariane	Auxiliary Burner; Mariane	Auxiliary Burner; Mariane
Front right rating (KWh)	1000W/65mm	1000W/65mm	1000W/65mm
Front right diameter (mm)			
Rear right spec 1	Mariane; Semi Rapid Burner	Mariane; Semi Rapid Burner	Mariane; Semi Rapid Burner
Rear right rating (KWh)	2000W/80mm	2000W/80mm	2000W/80mm
Rear right diameter (mm)			
Middle Middle spec	Multicrown WOK Burner	No	No
Middle Middle rating (kWh)	3900W/128mm		
Middle Middle diameter (mm)			
Width (mm)	880	590	590
Depth (mm)	510	520	520
Built-in dimensions			
Height (mm)	830	560	560
Width (mm)	480	480	480

	EGC3322NOK	KGS9536X	KGU6436IZ	KGS6424X
Number of cooking zones	2	5	4	4
Ignition type	Knobs	Knobs	Knobs	Knobs
Control Position	On Control Knob	On Control Knob	On Control Knob	On Control Knob
Cast Iron pan supports	Cast Iron	Cast Iron	Cast Iron	Enamel
Safety thermocouples				
Zone specification				
Front left spec	No	Semi Rapid Burner	Multicrown WOK Burner	Mariane;Rapid Burner
Front left rating (KWh)		1900W/70mm	2000W/80mm	1900W/70mm
Front Left diameter (mm)				
Rear left spec 1	No	Semi Rapid Burner	Semi Rapid Burner	Mariane; Semi Rapid Burner
Rear left rating (KWh)		1900W/70mm	3900W/70mm	3000W/100mm
Rear Left diameter (mm)				
Front middle spec 1	Auxiliary Burner	No	No	No
Front middle rating (KWh)	1000W/54mm			
Front middle diameter (mm)				
Rear middle spec 1	Rapid Burner	No	No	No
Rear middle rating (KWh)	2900W/100mm			
Rear middle diameter (mm)				
Front right spec 1	No	Rapid Burner	Auxiliary Burner	Auxiliary Burner; Mariane
Front right rating (KWh)		3000W/100mm	1000W/65mm	1000W/54mm
Front right diameter (mm)				
Rear right spec 1	No	Auxiliary Burner	Semi Rapid Burner	Mariane; Semi Rapid Burner
Rear right rating (KWh)		1000W/54mm	2000W/80mm	1900W/70mm
Rear right diameter (mm)				
Middle Middle spec	No	Multicrown WOK Burner	No	No
Middle Middle rating (kWh)		5000W/128mm		
Middle Middle diameter (mm)				
Width (mm)	290	858	595	595
Depth (mm)	520	521	525	510
Built-in dimensions				
Height (mm)	270	830	560	560
Width (mm)	490	480	480	480

Hoods



LFI519X



LFT319X



LFT316X



LFC319X



LFC316X



LFU119X



LFU116X



LFP326X

Specification	LFI519X	LFT319X	LFT316X
Fan speeds	3	2	3
Control type	Push Button	3 positions switch	3 positions switch
Intensive setting			•
Hob illumination (watts)	LED 4 x 2.5W	2W	2W
Extraction/recirculation operation	•	•	•
Metal grease filters	•	3	2
Performance data			
Extraction ca.m ³ /h (max/min)	600/295	600/385	400/240
Extraction ca.m ³ /h (intensive)			
Recirculation ca.m ³ /h (max/min)	425/230		270/180
Recirculation ca.m ³ /h (intensive)			
Noise (max/min) extraction (dB(A))	67/51	68/57	65/56
Recirculation noise (max.setting) (dB(A))	73/62		66
Additional equipment required:			
Ventilation hose: diameter (mm)	150	150	150
For recirculation: filter (optional accessory)	Accessory	Not Included	Accessory
Appliance dimensions			
Width (mm)	900	898	598
Depth (mm)	600	450	450

Specification	LFC319X	LFC316X	LFU119X	LFU116X	LFP326X
Fan speeds	3	3	3	3	3
Control type	Push Button	Push Button	Slider	Slider	Mechanical push buttons; Micro switch
Intensive setting					•
Hob illumination (watts)	LED 2 x 2.5W	LED 2 x 2.5W	LED 2 x 3W	LED 2 x 3W	2W
Extraction/recirculation operation	•	•	•	•	•
Metal grease filters	•	•	•	•	2
Performance data					
Extraction ca.m ³ /h (max/min)	384/208	384/208	336/260	336/135	400/180
Extraction ca.m ³ /h (intensive)					
Recirculation ca.m ³ /h (max/min)	126/58	126/58	100/75	100/78	
Recirculation ca.m ³ /h (intensive)					
Noise (max/min) extraction (dB(A))	62/49	62/49	69/59	73/52	68/54
Recirculation noise (max.setting) (dB(A))	66/51	66/51	70/65	74/62	66
Additional equipment required:					
Ventilation hose: diameter (mm)	150	150	125	125	150
For recirculation: filter (optional accessory)	Accessory	Accessory	Included	Included	Accessory
Appliance dimensions					
Width (mm)	560	560	899	598	560
Depth (mm)	310	310	510	510	298

Cooling



EUC2244AOW



ERC3214AOW



ENC2853AOW



ENN2801EOW

	EUC2244AOW	ERC3214AOW	ENC2853AOW	ENN2801EOW
Control type				
Gross capacity fridge (incl. freezer compartment) (litres/cubic feet)	220	323	276	205
Net capacity fridge (incl. freezer compartment) (litres/cubic feet)	204	310	255	198
Fridge defrost	-	Automatic	Automatic	Auto
Glass shelves (full depth)	-	4	3	4
Glass shelves (half depth)	-	2	2	2
Full width transparent salad drawer	-	1	2	1
Dairy compartment with lid	-	1	1	1
Full width door shelves	-	3+1 Bottle	2+1 Bottle	2
Half width door shelves	-	1	1	1
Egg tray	-	2	2	2
Fridge light / Internal lighting	-	1x LED	1x LED	•
Freezer defrost	Auto	-	Auto	Auto
Dimensions				
Height (mm)	1768	1768	1768	1772
Width (mm)	556	556	556	540
Depth (mm)	549	549	549	549
Built-in dimensions				
Built-in height (mm)	1780	1780	1780	1780
Built-in width (mm)	560	560	560	560
Built-in depth (mm)	550	550	550	550
Performance				
Annual energy consumption (KWh)	303	146	293	493
Energy efficiency class	A+	A+	A+	A+
Climate class	SN-N-ST-T	SN-N-ST-T	SN-N-ST-T	SN-N-ST-T
Noise (dBA)	39	35	39	36
Freezing capacity (kg/24hr)	20	0	10	3
Power cut safe rising time (hr)	24	0	21	17
Minimum ambient temperature (°C)	10	10	10	10
Other				
Reversible door opening	•	•	•	•
Adjustable feet	•	•	•	•

Laundry



EW7F4722NFB



EW7W4762OFB

Features
Display Medium
Washing technology
Wash capacity (kg)
Spin speed (RPM)
Motor
Porthole diameter
Rinse system
Steam function
Wool programme
Energy efficiency class
Wash performance
Energy consumption wash (KWh)
Washing noise (dB(A) re 1pW)
Spinning noise (dB(A) re 1pW)
Annual energy consumption (KWh)
Annual water consumption wash/dry (litres)
Special Features
Sensors
Auto Shut Off
Anti-flood device
Balance control
Controls
Knob colour
Push button functions
Program list
Other Specifications
Connectivity
RoHS compliant
Residual humidity
Dimensions
Height (mm)
Width (mm)
Depth (mm)

Small LED	Small LED
Eco valve	Eco valve
7	7
1200	1600
Universal	Permanent Magnet
42	42
Anti-foam system	Anti-foam system
Yes	Yes
Woolmark Blue	Woolmark Blue WASH&DRY
A-30%	A
A	A
0.93	
54	48
70	70
186	160
10200	10400
Special Features	Special Features
Sensicare	Flow meter
None	None
Pressostat	Pressostat
Yes	Yes
Controls	Controls
BI White+W CR	BI White+W CR
Temperature selection	Mode
ON/OFF	ON/OFF
Other Specifications	Other Specifications
No	No
2	2
53	44
Dimensions	Dimensions
819	819
596	596
540	540



Leaders in sustainability

We have a strong track record in sustainable operations and are proud to be ranked among the world's sustainability leaders in the Dow Jones Sustainability Index (DJSI) for the twelfth consecutive year. DJSI World includes the 10% best-in-class economic, environmental and social performers among the world's 2,500 largest companies.

Our products

From a life cycle analysis, we know that our greatest potential to positively impact the environment is to improve efficiency of products during use. We know there is a market for products with high levels of energy efficiency and low environmental impact.

The way we work

Our commitment to sustainability is integrated throughout our organisation – from boardroom to product design; from factory floor to marketing and communications.

We are a globally recognised sustainability leader.



Greener Living



Big business is often seen as the main culprit in the global warming and resources debate, but it's easy to forget the environmental impact of ordinary households – 30% of global energy production and 20% of all CO2 emissions are attributable to domestic use.

Sustainability is where our heart lies because being environmentally friendly is simply good housekeeping. But we not only manufacture energy-efficient models. We also strive wherever possible to minimise our operation's impact on the environment.

True to our word

Electrolux is listed in the Dow Jones Sustainable Index as a leader in the consumer durable industry.

We've supported the WWF for 20 years and work in partnerships with universities to explore sustainable supply solutions. And we're proud to have won the European Commission's Sustainable Energy Award (Corporate Commitment category).

Green highlights

Infinite induction cooking

Up to 40% less energy than when using other electric hobs.

RealLife® Dishwashers

Astonishingly, hand washing uses 70 litres more water than every single RealLife® full cycle.

And the **RealLife® WaterSave** Dishwasher equipped with WaterSave technology and using only 50% as much water* delivers spotlessly clean glass and dishware.

It stores the cleanest water in the final rinse of the previous wash, inside a dedicated, internal 3.5 litre tank.

A+++ fridge-freezers

Outstanding energy efficiency for appliances that are always switched on. Consumes as little energy as a light bulb.

* According to Electrolux research 49,4% lower water consumption per place setting compared with all dishwashing models sold in Europe during 2013.



For more information visit
electroluxarabia.com

Dealer Stamp